



## PT41 SERIES

- Gauge ranges from 23,000 psig to 145,000 psig
- Current and voltage outputs available
- Elgiloy and 17-4PH Stainless Steel wetted parts
- CE compliant to suppress RFI, EMI and ESD
- RoHS compliant

### APPLICATIONS

- Laboratory & test equipment
- Power generation
- Hydrostatic testing
- High pressure cleaning
- Waterjet cutting

### SPECIFICATIONS

<b>Output signals</b>	4 mA to 20 mA, 2-wire; 0 Vdc to 5 Vdc, 0 Vdc to 10 Vdc, 3-wire
<b>Pressure ranges</b>	Gauge ranges from 23,000 psi through 145,000 psi
<b>Accuracy*</b>	±0.50% of span, optional ±0.25% of span, non-linearity best fit straight line per IEC 61298-2 at reference conditions
<b>Adjustment</b>	± 10% full scale for zero and span
<b>Response time</b>	< 1 ms (between 10% and 90% full scale)
<b>Temperature ranges*</b>	Compensated: 32 °F to 176 °F (0 °C to 80 °C) Media: 32 °F to 176 °F (0 °C to 80 °C) Ambient: -4 °F to 176 °F (-20 °C to 80 °C) Storage: -40 °F to 185 °F (-40 °C to 85 °C)
<b>Power requirement*</b>	10 Vdc to 30 Vdc: 4 mA to 20 mA, 2-wire, 0 Vdc to 5 Vdc, 3-wire 14 Vdc to 30 Vdc: 0 Vdc to 10 Vdc, 3-wire
<b>Proof &amp; burst pressure</b>	See user manual
<b>Measuring element</b>	Elgiloy and 17-4PH Stainless Steel
<b>Process connection</b>	17-4PH Stainless Steel
<b>Housing material</b>	316 Stainless Steel
<b>Environmental rating</b>	IP65: DIN EN 175301-803 Form C IP67: 4-pin Bayonet, 6-pin Bayonet, 1/2" NPT conduit, M12 x 1 (4-pin), Integral cable
<b>Electromagnetic rating</b>	CE compliant to EMC norm EN 61326:2014/A1:1998 RFI, EMI and ESD protection
<b>Electrical protection</b>	Reverse polarity, overvoltage and short circuit protection
<b>Shock</b>	100 g's according to IEC 60068-2-27
<b>Vibration</b>	15 g's according to IEC 60068-2-6
<b>Weight</b>	Approximately 7.5 oz.

\* See user manual for detailed specifications



**WARNING:** This product can expose you to chemicals including Nickel, which is known to the State of California to cause cancer and birth defects or other reproductive harm. For more information go to [www.P65Warnings.ca.gov](http://www.P65Warnings.ca.gov)

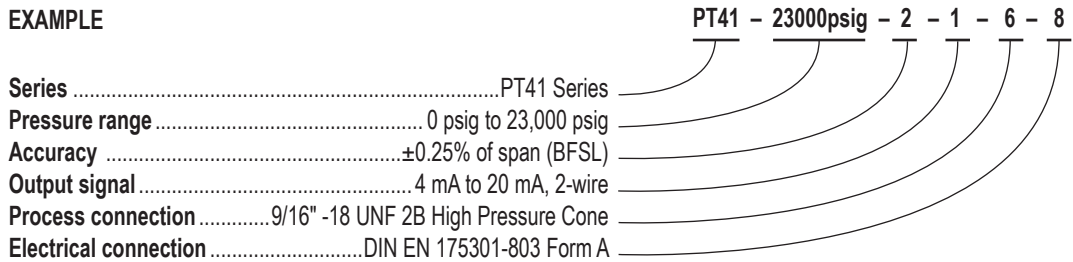
ORDERING INFORMATION						
SERIES	PT41					
PRESSURE RANGES	<b>23000psig</b>	0 psig to 23,000 psig	<b>58000psig</b>	0 psig to 58,000 psig	<b>100000psig</b>	0 psig to 100,000 psig
	<b>30000psig</b>	0 psig to 30,000 psig	<b>72000psig</b>	0 psig to 72,000 psig	<b>115000psig</b>	0 psig to 115,000 psig**
	<b>36000psig</b>	0 psig to 36,000 psig	<b>87000psig</b>	0 psig to 87,000 psig	<b>145000psig</b>	0 psig to 145,000 psig**
psig = gauge pressure      Other ranges available on request						
ACCURACIES	<b>1</b>	±0.50% (of span, non-linearity, BFSL per IEC 61298-2 at reference conditions)	<b>2</b>	±0.25% (of span, non-linearity, BFSL per IEC 61298-2 at reference conditions)		
OUTPUT SIGNALS	<b>1</b>	4 mA to 20 mA, 2-wire	<b>2</b>	0 Vdc to 5 Vdc, 3-wire	<b>5</b>	0 Vdc to 10 Vdc, 3-wire
PROCESS CONNECTION	<b>6</b>	9/16 -18 UNF 3B high pressure cone*	<b>51</b>	M20 x 1.5 female thread with sealing cone	Other connections available upon request	
ELECTRICAL CONNECTIONS	<b>3</b>	6-pin Bayonet	<b>18</b>	DIN EN 175301-803 Form A w/ 3 ft. cable		
	<b>8</b>	DIN EN 175301-803 Form A	<b>25</b>	M12 x 1 (4-pin)		
	<b>14</b>	DIN EN 175301-803 Form A w/ 1/2" NPT female conduit	<b>36</b>	3 ft. Integral cable		
	<b>16</b>	1/2" NPT conduit w/ 3 ft. cable				

Please consult your local NOSHOK Distributor or NOSHOK, Inc. for availability and delivery information.

\* Equivalent to F250C Parker Autoclave

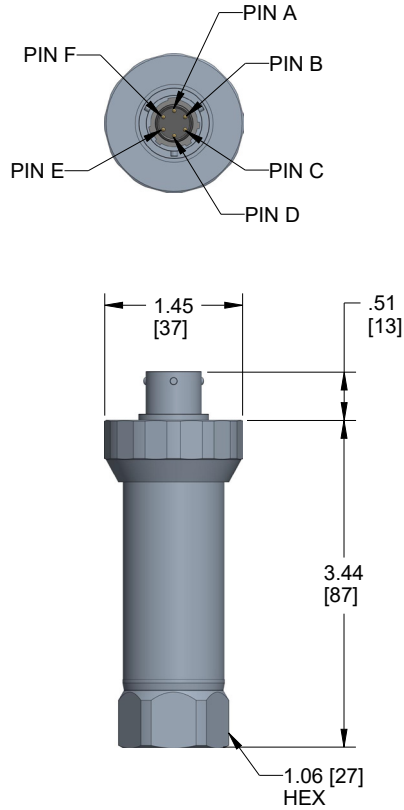
\*\* Only available with M20 x 1.5 female thread with sealing cone (-51)

**EXAMPLE**

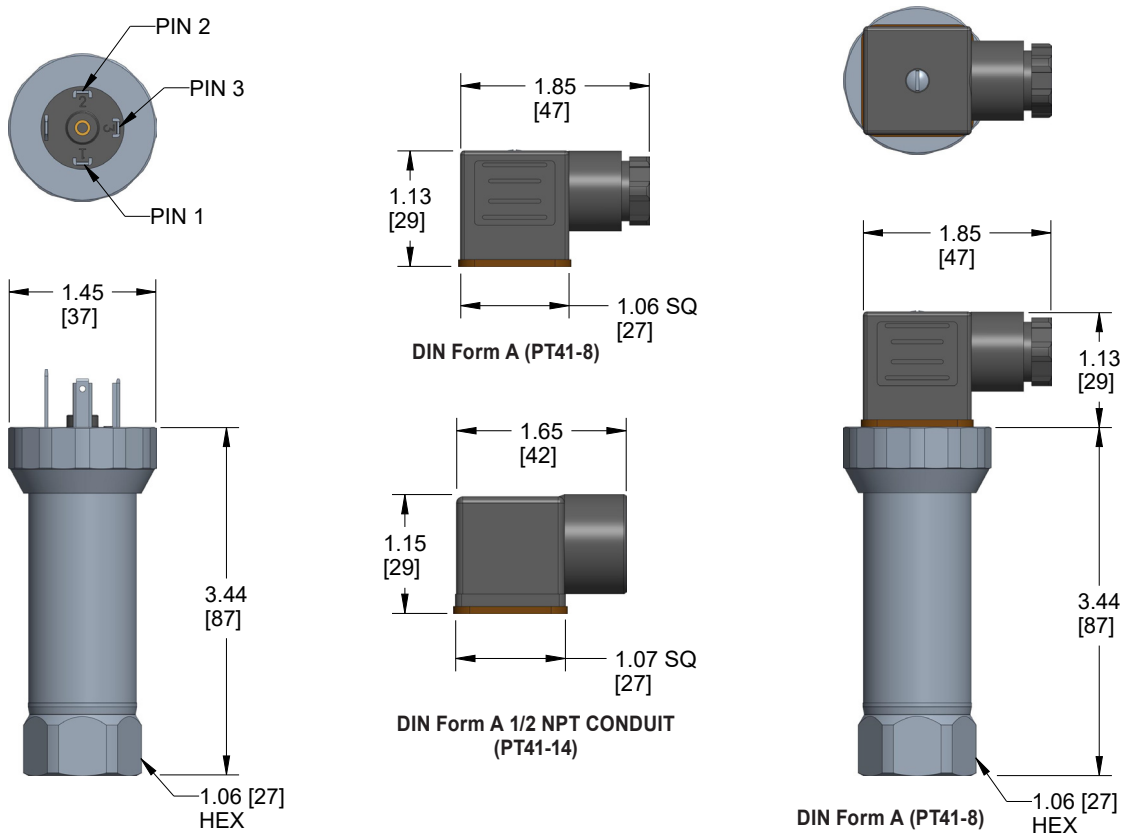


# Dimensions

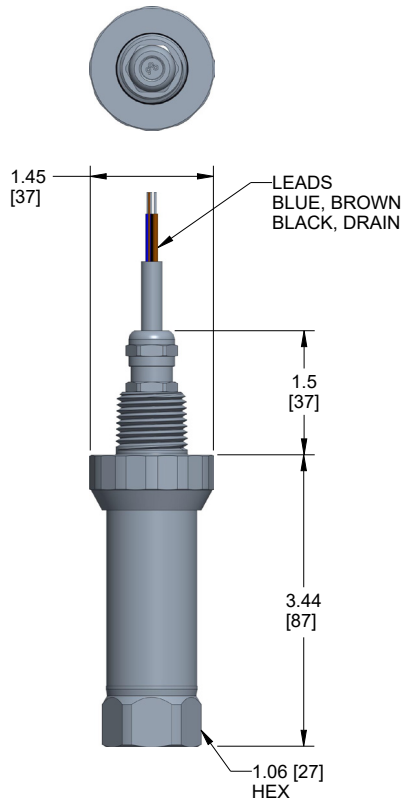
**PT41-3 (6-Pin Bayonet)**



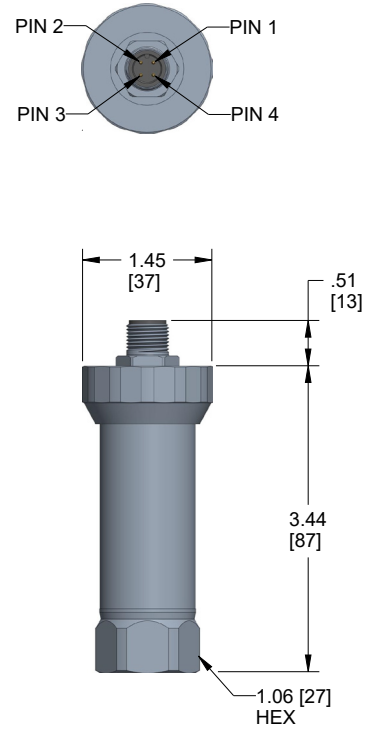
**PT41 (DIN EN 175301-803 Form A)**



PT41-16 (1/2" NPT conduit w/ 3 ft. Cable)



PT41-25 (M12 x 1 4-pin)



PT41-36 (3 ft. Integral Cable)

