



PT20 SERIES

- Gauge, compound, absolute and vacuum ranges from 1 psig to 10,000 psig
- Current and voltage outputs available
- 316 and 13-8PH Stainless Steel wetted parts
- RoHS compliant
- CE compliant to suppress RFI, EMI and ESD
- cULus compliant

APPLICATIONS

- HVAC
- Hydraulics & pneumatics
- General industrial
- Automation

SPECIFICATIONS

| | | |
|-------------------------------|--|---|
| Output signals | 4 mA to 20 mA, 2-wire; 0 Vdc to 5 Vdc, 3-wire; 1 Vdc to 5 Vdc, 3-wire; 0 Vdc to 10 Vdc, 3-wire; 0.5 to 4.5 Vdc, 3-wire; 0.5 to 4.5 Vdc ratiometric, 3-wire | |
| Pressure ranges | Gauge, compound, absolute and vacuum ranges from 1 psi to 10,000 psi | |
| Accuracy* | ±0.50% of span, non-linearity best fit straight line per IEC 61298-2 at reference conditions | |
| Response time | ≤ 4 ms (between 10% and 90% full scale) | |
| Service life | > 100 million load cycles | |
| Temperature ranges* | Compensated: | 32 °F to 176 °F (0 °C to 80 °C) |
| | Media: | 32 °F to 176 °F (0 °C to 80 °C) |
| | Ambient: | 32 °F to 176 °F (0 °C to 80 °C) |
| | Storage: | -40 °F to 158 °F (-40 °C to 70 °C) |
| Power requirement* | 8 Vdc to 30 Vdc: | 4 mA to 20 mA, 2-wire 0 Vdc to 5 Vdc, 3-wire 1 Vdc to 5 Vdc, 3-wire 0.5 Vdc to 4.5 Vdc, 3-wire |
| | 14 Vdc to 30 Vdc: | 0 Vdc to 10 Vdc, 3-wire |
| | 4.5 Vdc to 5.5 Vdc: | 0.5 Vdc to 4.5 Vdc ratiometric, 3-wire |
| Proof pressure | < 7,500 psi: | 2 times full scale |
| | ≥ 7,500 psi: | 1.5 times full scale |
| Burst pressure | < 7,500 psi: | 3 times full scale |
| | ≥ 7,500 psi: | 2 times full scale |
| Measuring element | 316 Stainless Steel: | Vacuum to 150 psi |
| | 13-8PH Stainless Steel: | ≥ 150 psi |
| Process connection | 316 Stainless Steel | |
| Electrical connection | PA and PBT | |
| Housing material | 316 Stainless Steel | |
| Environmental rating | IP65: DIN EN 175301-803 Form A, DIN EN 175301-803 Form C IP67: M12 x 1 (4-pin) | |
| Electromagnetic rating | CE compliant to EMC norm EN 61326:2014/A1:1998 RFI, EMI and ESD protection | |
| Electrical protection | Reverse polarity, over-voltage and short circuit protection | |
| Shock | 500 g's according to IEC 60068-2-27 | |
| Vibration | 10 g's according to IEC 60068-2-6 | |
| Weight | Approximately 2.8 oz. | |

* See user manual for detailed specifications

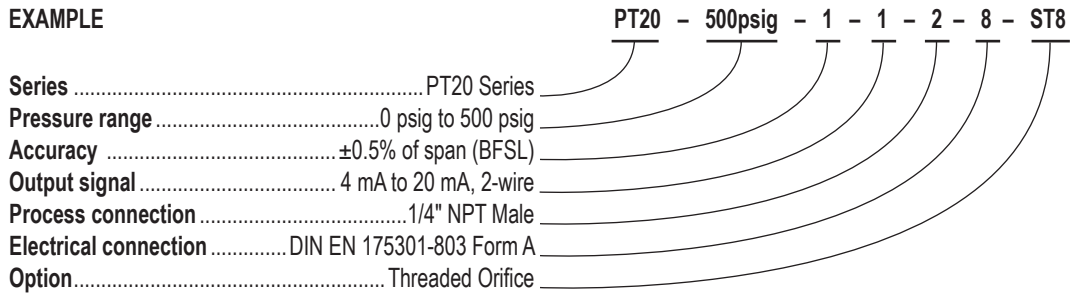


WARNING: This product can expose you to chemicals including Nickel, which is known to the State of California to cause cancer and birth defects or other reproductive harm. For more information go to www.P65Warnings.ca.gov

| ORDERING INFORMATION | | | | | | | | |
|---|---|---|---------|--|-----------|-----------------------|---------|--------------------|
| SERIES | PT20 | | | | | | | |
| PRESSURE RANGES | 15psiv | -15 psig to 0 psig | 15psig | 0 psig to 15 psig | 1000psig | 0 psig to 1,000 psig | 30psia | 0 psia to 30 psia |
| | 15psic | -15 psig to 15 psig | 30psig | 0 psig to 30 psig | 1500psig | 0 psig to 1,500 psig | 60psia | 0 psia to 60 psia |
| | 30psic | -15 psig to 30 psig | 60psig | 0 psig to 60 psig | 2000psig | 0 psig to 2,000 psig | 100psia | 0 psia to 100 psia |
| | 60 psic | -15 psig to 60 psig | 100psig | 0 psig to 100 psig | 3000psig | 0 psig to 3,000 psig | 150psia | 0 psia to 150 psia |
| | 100psic | -15 psig to 100 psig | 150psig | 0 psig to 150 psig | 5000psig | 0 psig to 5,000 psig | 200psia | 0 psia to 200 psia |
| | 200psic | -15 psig to 200 psig | 200psig | 0 psig to 200 psig | 6000psig | 0 psig to 6,000 psig | 300psia | 0 psia to 300 psia |
| | 300psic | -15 psig to 300 psig | 300psig | 0 psig to 300 psig | 7500psig | 0 psig to 7,500 psig | | |
| | 1psig | 0 psig to 1 psig | 500psig | 0 psig to 500 psig | 10000psig | 0 psig to 10,000 psig | | |
| | 5psig | 0 psig to 5 psig | 750psig | 0 psig to 750 psig | 15psia | 0 psia to 15 psia | | |
| psiv = vacuum gauge pressure psic = compound gauge pressure psig = gauge pressure psia = absolute pressure Other ranges available upon request. | | | | | | | | |
| ACCURACY | 1 ±0.50% (of span, non-linearity, BFSL per IEC 61298-2 at reference conditions) | | | | | | | |
| OUTPUT SIGNALS | 1 | 4 mA to 20 mA, 2-wire | 5 | 0 Vdc to 10 Vdc, 3-wire | | | | |
| | 2 | 0 Vdc to 5 Vdc, 3-wire | 13 | 0.5 Vdc to 4.5 Vdc, 3-wire (ratiometric) | | | | |
| | 3 | 1 Vdc to 5 Vdc, 3-wire | 31 | 0.5 Vdc to 4.5 Vdc, 3-wire (non-ratiometric) | | | | |
| PROCESS CONNECTIONS | 2 | 1/4" NPT male | 10 | G 1/4 B EN 837 | | | 83 | G 1/2 B EN 837 |
| | 8 | 1/2" NPT male | 45 | 7/16-20 SAE J514 FIG 34B (Non-Adjustable) | | | | |
| ELECTRICAL CONNECTIONS | 7 | DIN EN 175301-803 Form C | 17 | DIN EN 175301-803 Form C w/ 3 ft. cable | | | | |
| | 8 | DIN EN 175301-803 Form A | 18 | DIN EN 175301-803 Form A w/ 3 ft. cable | | | | |
| | 14 | DIN EN 175301-803 Form A w/ 1/2" NPT female conduit | 25 | M12 x 1 (4-pin) | | | | |
| OPTION | ST8 Threaded Orifice (0.8 mm) | | | | | | | |

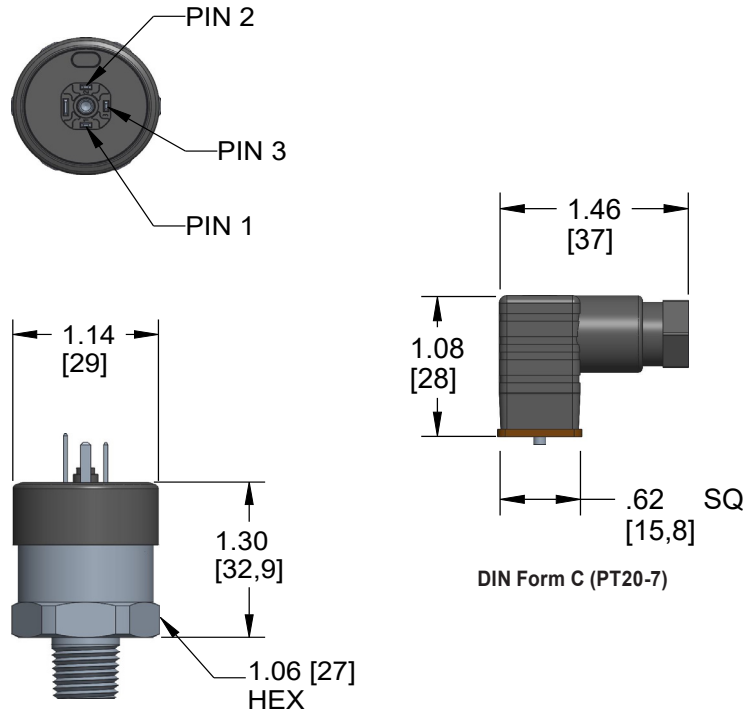
Please consult your local NOSHOK Distributor or NOSHOK, Inc. for availability and delivery information.

EXAMPLE

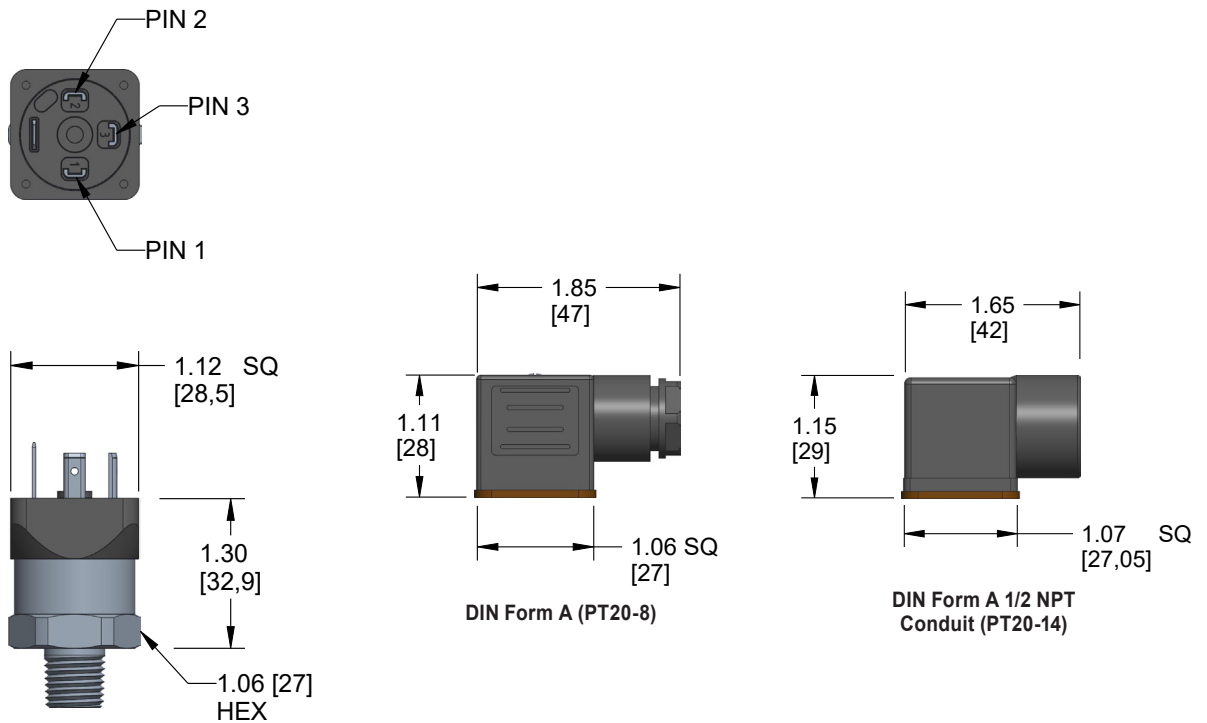


Dimensions

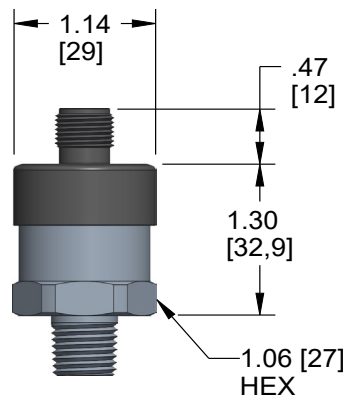
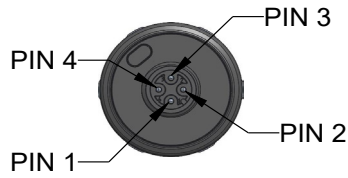
PT20 (DIN EN 175301-803 Form C)



PT20 (DIN EN 175301-803 Form A)



PT20-25 (M12 x 1 4-pin)



PT20 Process Connections

