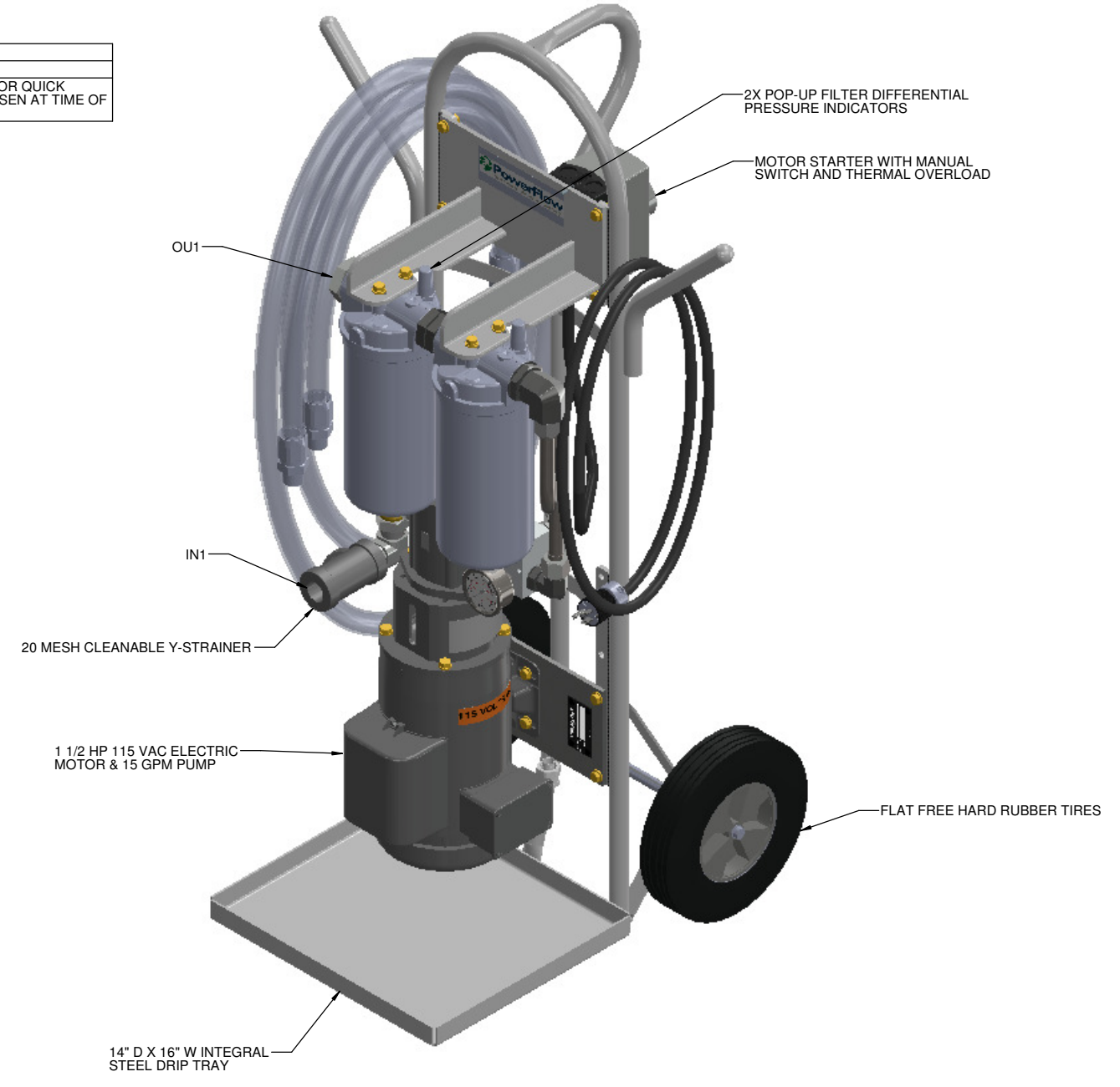
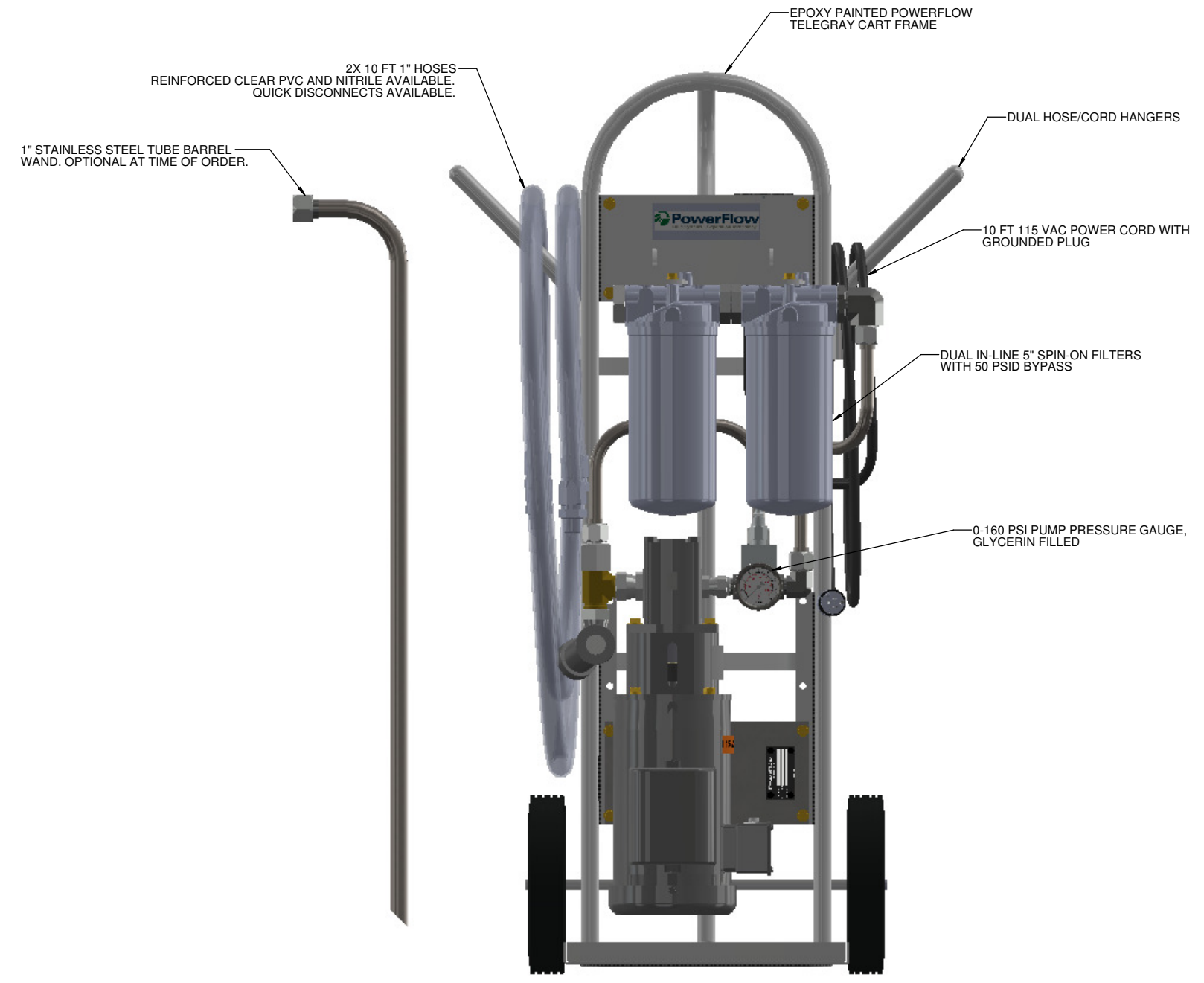
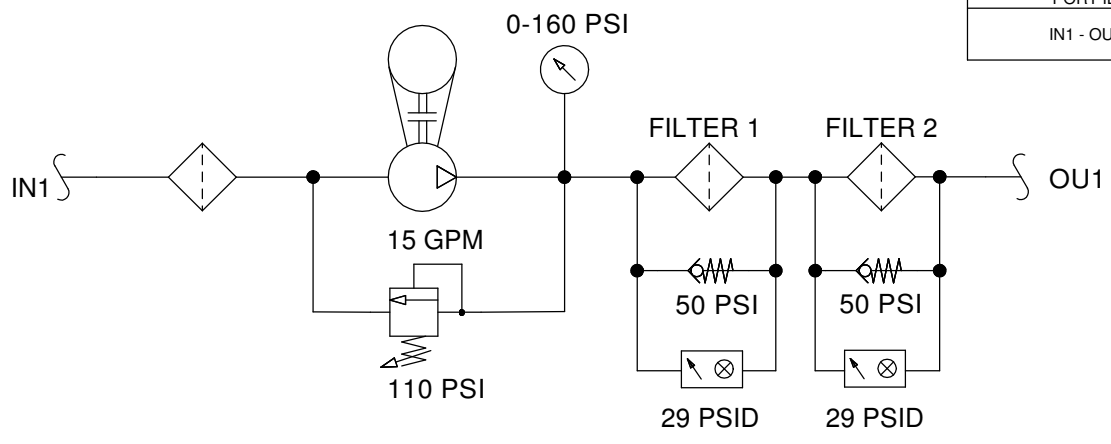


This drawing contains confidential technical data that is proprietary to PowerFlow Fluid Systems. The drawing, technical data, design rights and all other disclosures contained in this document are the property of PowerFlow Fluid Systems. Unauthorized use, copying, distribution to third parties, manufacture or reproduction in part or in whole is prohibited. All rights are reserved.

PORT MATRIX	
PORT ID	CONNECTION
IN1 - OU1	1" FEMALE NPT, SAE 37 DEG FLARE OR QUICK DISCONNECT. VARIES WITH OPTIONS CHOSEN AT TIME OF ORDER



 THIRD ANGLE PROJECTION	FINISH UNLESS OTHERWISE NOTED 64/ MACHINED SURFACES ONLY REMOVE BURRS BREAK EDGES	ALL DIMENSIONS IN INCHES TOLERANCES UNLESS OTHERWISE NOTED X.X ± 0.375 FRACTIONAL ± 1/4 X.XX ± 0.25 ANGULAR ± 2° X.XXX ± 0.125 WELD BEAD LEG ≤ .188 ± .063 LEG ≥ .31 ± .13 LEG = .25 ± .093
----------------------------	---	---

CUSTOMER	
PROJECT NUMBER	MATERIAL
ORIGINAL NEXT ASSEMBLY	PART NUMBER 10-00632-ALL

DESCRIPTION ARRANGEMENT, FILTER CART, 15 GPM, 115 VAC, DUAL SPIN-ON FILTERS, BUNA-N SEALS				
SHEET 1 OF 1	SCALE NONE	SIZE D	DRAWING NUMBER AR10-00632	REV

	NAME	DATE
DRAWN	J MILLER	052418
CHECKED	K BROWN	052918
APPROVED	J MILLER	052918



UNCONTROLLED DRAWING COPY
NOT TO BE USED FOR PRODUCTION