



1000 SERIES

- Simple, rugged, compact differential pressure gauge
- Ranges from 0 psid to 5 psid through 0 psid to 110 psid
- 2-1/2", 4-1/2" and 6" gauge sizes
- Engineered plastic gauge case
- Clear anodized Aluminum and 316 Stainless Steel wetted parts

APPLICATIONS

- Heat exchangers
- Filter monitoring
- Flow indication
- Level indication

SPECIFICATIONS

Pressure ranges	0 psid to 5 psid through 0 psid to 110 psid
Max. working static pressure	Aluminum 3,000 psig; Stainless Steel 6,000 psig
Accuracy	±3/2/3% of full scale on rising pressure
Temperature ranges (Including switch option)	Media -40 °F to 200 °F (-40 °C to 93 °C) Ambient -40 °F to 200 °F (-40 °C to 93 °C) Storage -40 °F to 200 °F (-40 °C to 93 °C)
Temperature ranges (4-20 mA transmitter option)	Ambient -20 °F to 150 °F (-29 °C to 66 °C)
Measuring element	316 Stainless Steel and ceramic piston/magnet
O-ring & diaphragm material	NBR
Connection	1/4" NPT female, back connection
Sensor housing material	Clear anodized Aluminum
Case	Engineered plastic
Bezel	Engineered plastic
Lens	Shatter-resistant acrylic
Pointer	Balanced Aluminum, black finish
Dial	Aluminum, white background with black scale
Movement	Magnetic
Optional switch rating	SPDT, 3W, 0.25 Amp, 125 Vac/Vdc (standard) (switch adjustable range of 15-95%). Other options available, consult factory.



ORDERING INFORMATION				
GAUGE SIZES & SERIES	25 - 10	2-1/2"	45 - 10	4-1/2"
CONNECTION LOCATIONS	0	Bottom	1	Back
CONNECTION SIZE	2	1/4" NPT female	9	7/16-20 female (Back only)
PRESSURE RANGES *	P5	0 psid to 5 psid	P20	0 psid to 20 psid
	P10	0 psid to 10 psid	P25	0 psid to 25 psid
	P15	0 psid to 15 psid	P30	0 psid to 30 psid
SENSOR HOUSING MATERIALS	A	Aluminum (3,000 max working pressure)	S	316L Stainless Steel (6,000 max working pressure)
O-RING & DIAPHRAGM MATERIALS	1	PTFE	3	NBR
	2	FKM	4	EPDM
CASE MATERIALS	A	Aluminum (4-1/2" only)	P	Engineered plastic
LENSES	1	Shatter-resistant acrylic	2	Safety glass **
	3	Maximum indicating pointer (MIP) ***		
FILL FLUID (optional)	GY	Glycerin	SL	Silicone †
SWITCH OR TRANSMITTER TYPE & HOUSING	1	Single switch, flying leads with grommet wire seal	5	Single switch with Hirschman electrical connection
	2	Dual switch, flying leads with grommet wire seal	6	Dual switch with Hirschman electrical connection
	3	Single switch, flying leads with 1/4" female NPT, NEMA 4X	7	4-20 mA transmitter in NEMA 4x IP65 plastic enclosure with terminal strip (1/2" female NPT conduit connection)
	4	Dual switch, flying leads with 1/4" female NPT, NEMA 4X		
OPTIONS	MH	(2) 1/4-20 Mounting Holes	RP	Reversed Ports
	MK5-CS	Pipe Mounting Kit, Steel	ST	Stainless Steel Tagging
	MK5-SS	Pipe Mounting Kit, Stainless Steel	WMK	Wall Mounting Kit

Please consult your local NOSHOK Distributor or NOSHOK, Inc. for availability and delivery information.

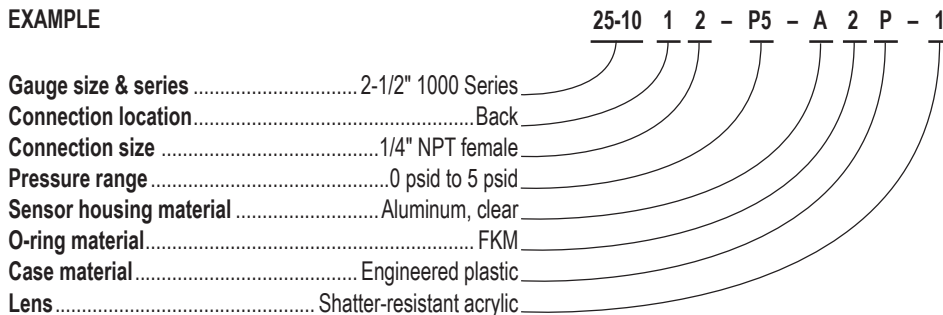
* Other ranges and scales available on request.

** Only available with dry, 4-1/2" gauge size with Aluminum case.

*** Available with dry gauge only, 2-1/2" and 4-1/2" gauge sizes only.

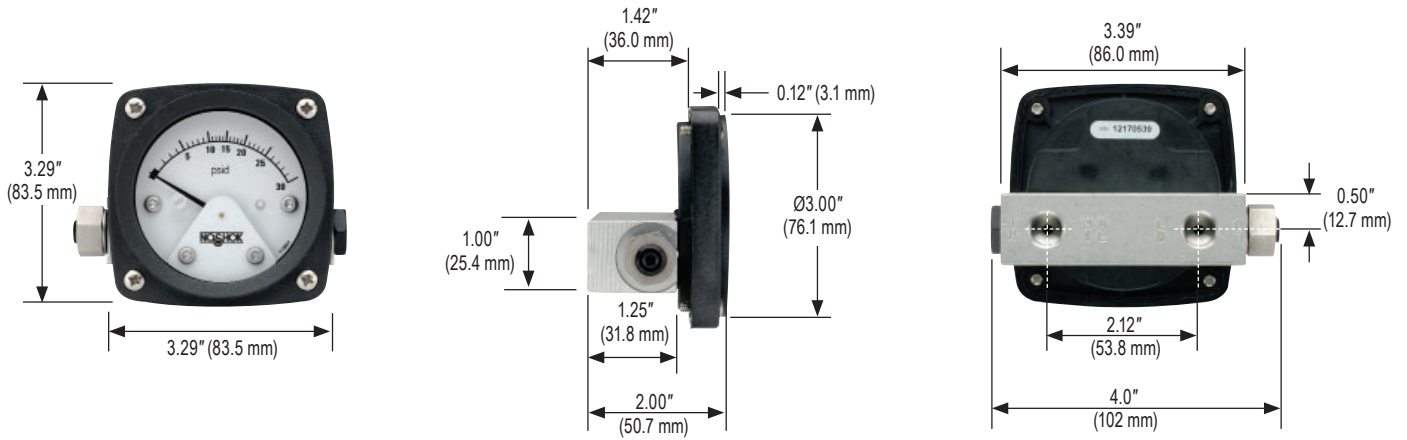
† Optional Silicone filling available with 2-1/2" and 6" gauge case sizes, and 4-1/2" gauge case size with Aluminum case and standard shatter-resistant acrylic lens only.

EXAMPLE

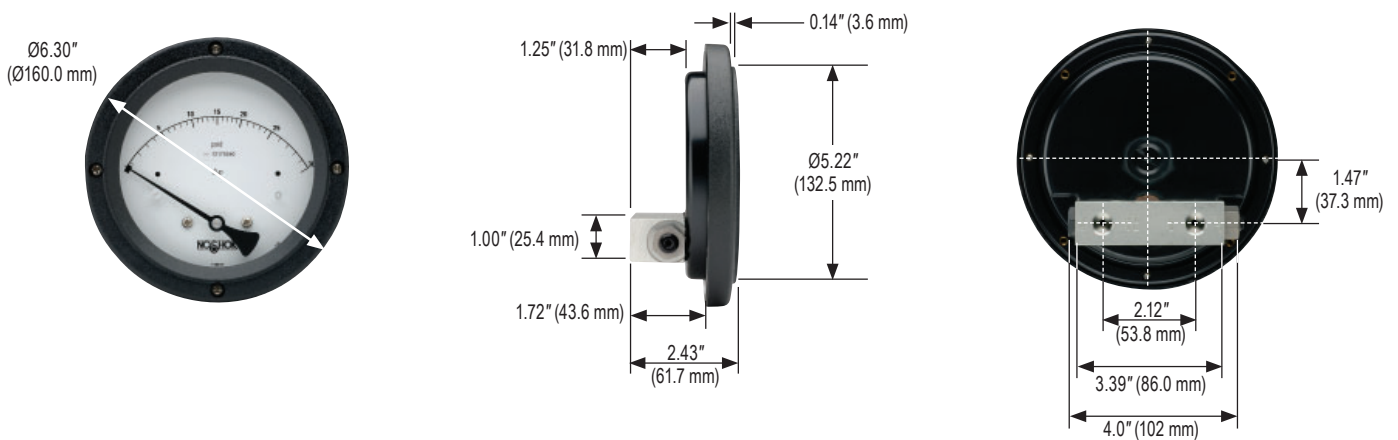


Dimensions

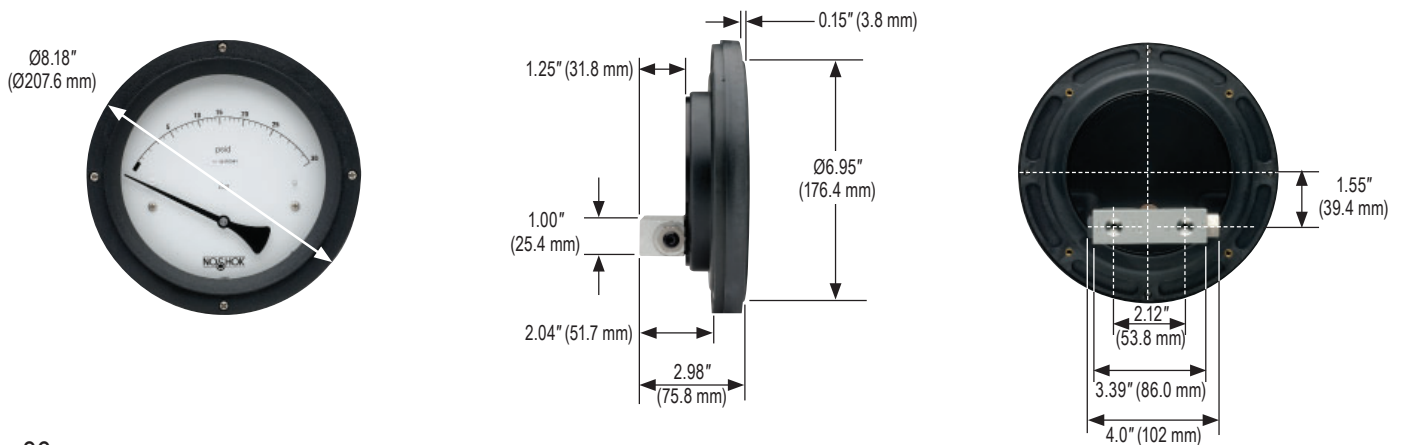
2-1/2" Gauge



4-1/2" Gauge

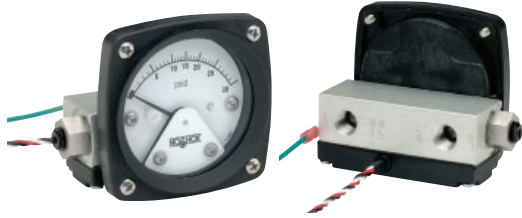


6" Gauge

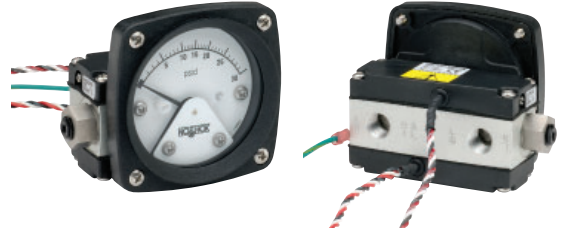


1000 SERIES

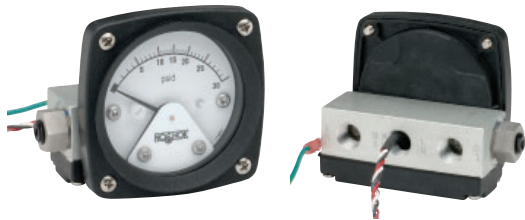
Single switch, flying leads with grommet wire seal



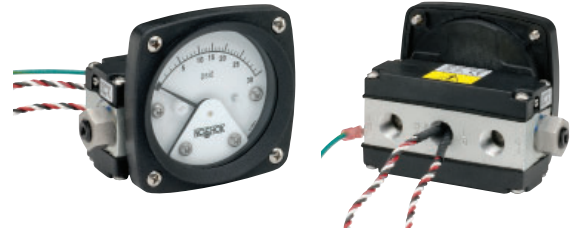
Dual switch, flying leads with grommet wire seal



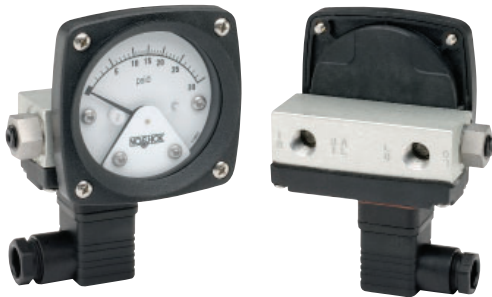
Single switch, flying leads with 1/4" female NPT, NEMA 4X



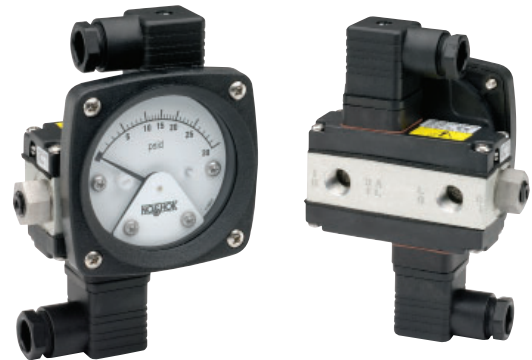
Dual switch, flying leads with 1/4" female NPT, NEMA 4X



Single switch with Hirschman electrical connection



Dual switch with Hirschman electrical connection



4-20 mA transmitter in NEMA 4x IP65 plastic enclosure with terminal strip (1/2" female NPT conduit connection)

