

# Vapor Condensing Separator Trap

## JST / JCT Series 2" - 6"

### Overview

JST & JCT Series vapor condensers are designed to protect equipment from harmful vapors and liquids that can break down pump oils and harm a pump's inner workings. Vapor removal is accomplished through transitioning a substance from a gaseous state to a liquid or solid state and collecting any condensed material that accumulates.

### Features

- Removable heat exchanger fin pack for ease of cleaning and long lasting optimum performance
- Coolant flask system
- Stainless steel demister pad
- Compact housing for minimal footprint
- Removable bottom for full accessibility
- Coolant inlet and outlet ports
- JST Series: Durable see-through bucket made from shatter resistant polycarbonate
- JCT Series: Corrosive resistant carbon steel bucket

### Options ATEX Available

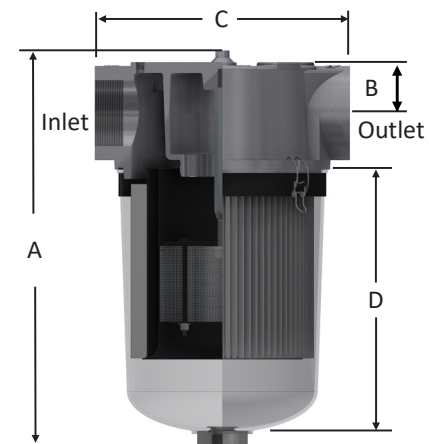
- ATEX available for JCT versions only
- Additional ports
- Vacuum gauge
- Support frame
- Spool piece/extended bucket (select models/sizes)



JCT Series



JST Series



Inlet/Outlet		Drain Port		Reference Only Assembly Part Number	Dimensions - inches				Suggested Service ht. inches	Drill Points/Gauge Taps	(4) Tap, Mount Sizes	Fasteners
Size	Type	Size	Type		A	B	C	D				
2"	NPSC	1"	NPSC	JST-C2048-200C	18	2	9	12 3/8	10	Drill	M12x1.75	Clips
2 1/2"	FPT	1"	NPSC	JST-C2048-250C	17 3/8	2	9	12 3/8	10	Drill	M12x1.75	Clips
3"	FPT	1"	NPSC	JST-C2081-300C	21 1/4	2 1/16	13 1/2	14	10	Drill	1/2"-13	Clips
4"	FPT	1"	NPSC	JST-C2081-400C	21 1/4	2 1/16	13 1/2	14	10	Drill	1/2"-13	Clips
2"	NPSC	1"	NPSC	JCT-C2048-200C	16 3/4	2	9	12 1/2	10	Drill	M12x1.75	Clips
2 1/2"	FPT	1"	NPSC	JCT-C2048-250C	16 3/4	2	9	12 1/2	10	Drill	M12x1.75	Clips
3"	FPT	1"	NPSC	JCT-C2081-300C	19 13/16	2 1/16	13 1/2	13 1/2	10	Drill	1/2"-13	Clips
4"	FPT	1"	NPSC	JCT-C2081-400C	25 13/16	2 1/16	13 1/2	18 3/4	10	Drill	1/2"-13	Clips
6"	FPT	1"	NPSC	JCT-C3226-600C	30	3 7/8	19	21	14	1/4"	M12x1.75	Swing Bolts

Contact Solberg for additional sizing information or about flow rates for your specific application.

Rev: JST/JCT-US1904K