

W350 In-Line Cartridge Filters

Working Pressures to:

3000 psi / 21,000 kPa / 210 bar

Rated Static Burst to:

7500 psi / 51,700 kPa / 517 bar

Fatigue Pressure Rating:

1500 psi / 10,000 kPa / 100 bar

Flow Range To:

50 gpm / 189 lpm

Applications

- High Pressure Circuits
- In-Plant Systems
- Meets HF3 Specification
- Mobile Equipment

Features

The W350 T-type ported series offers flows up to 50 gpm (190 lpm) with three bypass options and conforms to the HF3 automotive standard. Our standard housing drain plug helps relieve system pressure during filter changeouts. DT 4-layer media is offered in a variety of designs. Donaldson filters core collapse options range from 150 to 3,000 psi (10 to 210 bar). The differential pressure indicator line is designed to work with the wide assortment of bypass valves. Thermal lockout and surge control are two key features incorporated in many of the differential pressure indicators.

- Conforms to HF3 specifications
- High collapse filter available for use with non-bypass applications
- Wide range of indicator options
- Two housing length options for design flexibility
- Head material: cast iron
- Housing material: steel
- Drain plug in housing
- Bleed plug in head

Beta Rating

- Performance to $\beta_{<4(c)}=1000$

Porting Size Options

- SAE-16 O-Ring

Replacement Filter Lengths

- 4.59" / 116.7mm
- 8.22" / 208.8mm

Standard Bypass Ratings

- 25 psi / 173 kPa / 1.7 bar
- 50 psi / 345 kPa / 3.5 bar
- 90 psi / 621 kPa / 6.2 bar
- No Bypass

shop.donaldson.com

Assembly Weight

- 4.59" Assembly: 20 lbs / 9.07 kg
- 8.22" Assembly: 26 lbs / 11.79 kg

Operating Temperatures

- -20° to 250°F (-29° to 121°C)

Filter Collapse Ratings

- 290 psi / 1999 kPa / 20.0 bar (standard)
- 3000 psi / 20,700 kPa / 206.8 bar (high collapse)





W350

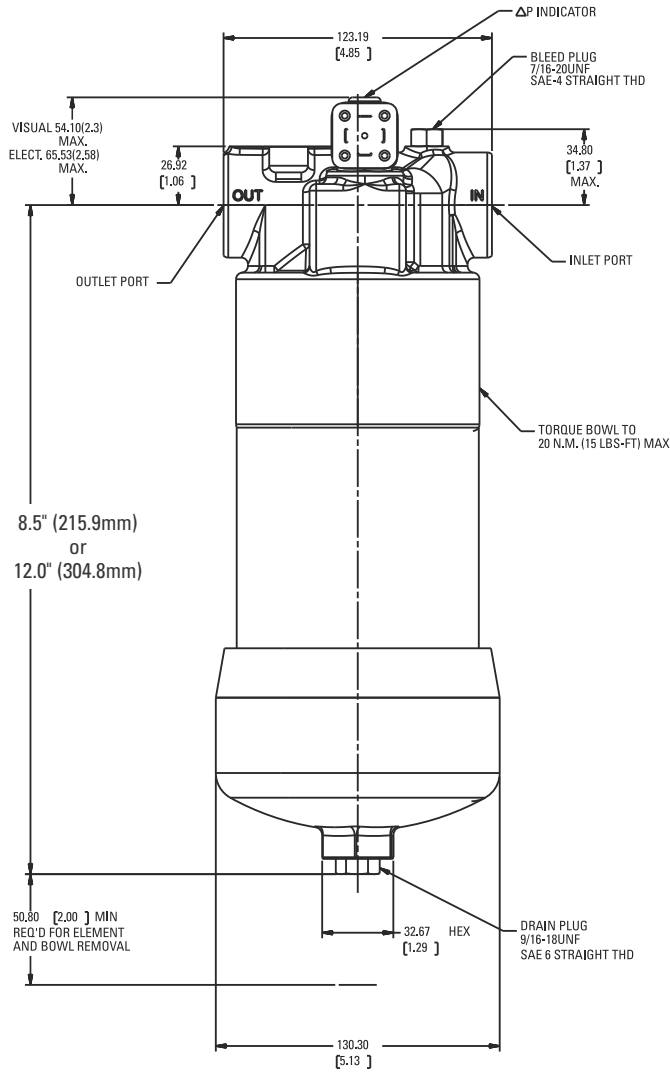
Max Flow: 50 gpm (189 lpm)



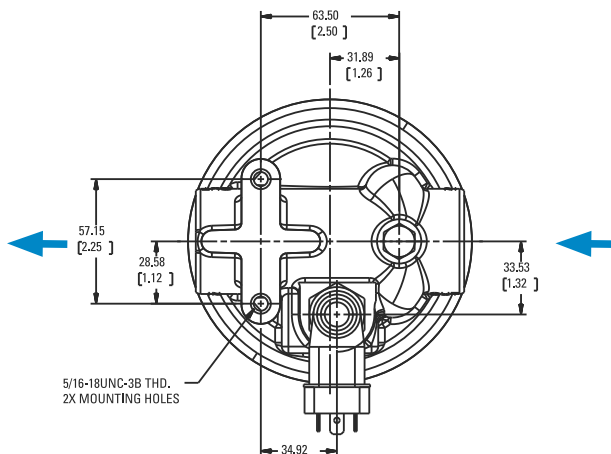
W350 Specification Illustrations

ASSEMBLY - SIDE VIEW

All dimensions are shown in millimeters [inches].



HEAD - TOP VIEW



W350 Components

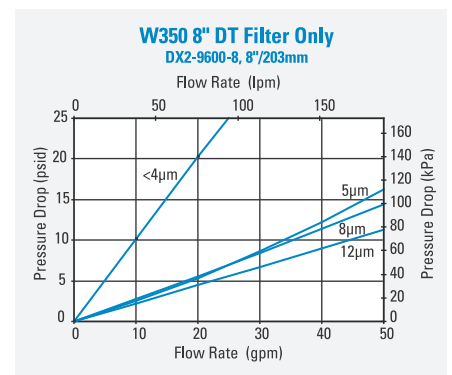
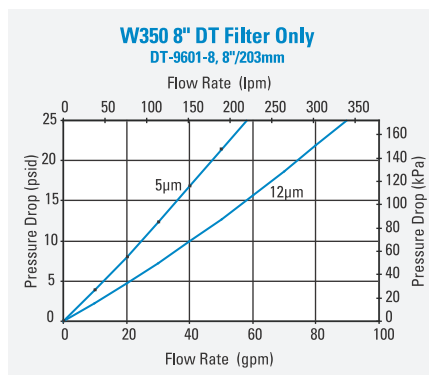
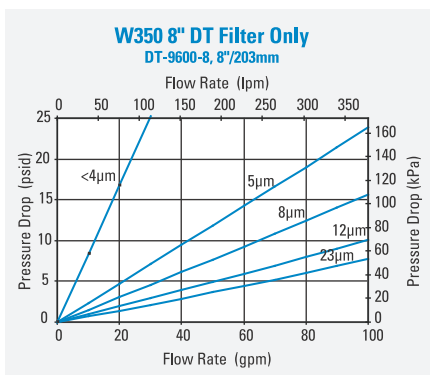
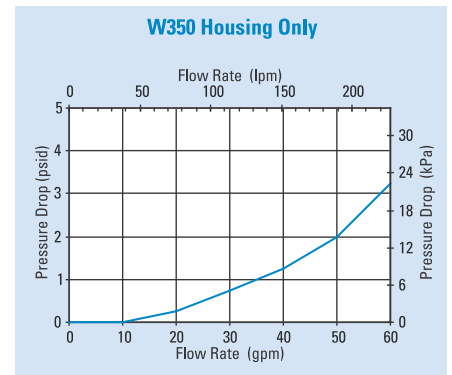
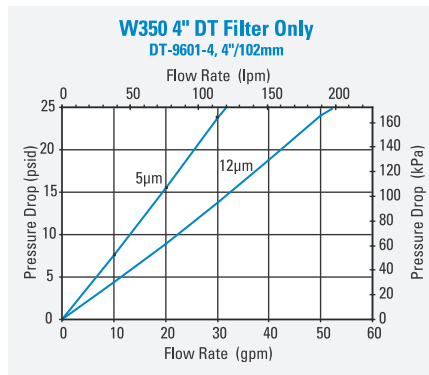
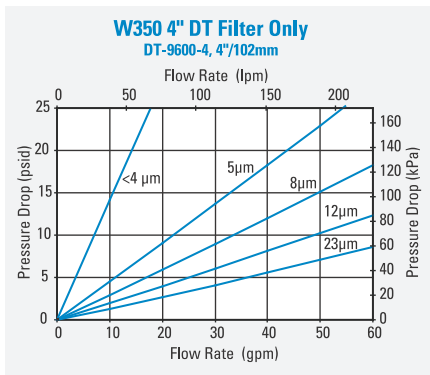
Filter Choices

Media Type	$\beta_{x(c)} = 2$	$\beta_{x(c)} = 1000$	Length		Part No.	Comments
	Rating based on ISO 16889		in	mm		
DT Synthetic		<4 μm	4.59	117	P566204	DT-9600-4-2UM
		5 μm	4.59	117	P566205	DT-9600-4-5UM
		5 μm	4.56	116	P167184	DT-9601-4-5UM, High collapse
		8 μm	4.59	117	P566206	DT-9600-4-8UM
		12 μm	4.59	117	P566207	DT-9600-4-14UM
		12 μm	4.56	116	P167843	DT-9601-4-14UM, High collapse
		23 μm	4.59	117	P566208	DT-9600-4-25UM
		<4 μm	8.22	209	P566209	DT-9600-8-2UM
		5 μm	8.22	209	P566210	DT-9600-8-5UM
		5 μm	8.19	208	P167185	DT-9601-8-5UM, High collapse
		8 μm	8.22	209	P566211	DT-9600-8-8UM
		12 μm	8.22	209	P566212	DT-9600-8-14UM
		12 μm	8.19	208	P167186	DT-9601-8-14UM, High collapse
	23 μm	8.22	209	P566213	DT-9600-8-25UM	
Water Absorbing	10 μm		8	209	P569528	Absorbs 130 ml water @ 25 psid



Filter Notes: All Donaldson DT filters utilize glass fiber media with an epoxy-based resin system for the ultimate in chemical compatibility. All Donaldson DT filters are potted with epoxy-based adhesives. Standard collapse DT designs are double wire-backed using epoxy-coated steel mesh for maximum pleat support and dirt capacity. High collapse designs are double wire-backed using stainless steel mesh. High collapse designs are also potted into machined aluminum endcaps for greater filter integrity in critical applications. Fluorocarbon seals are standard on all Donaldson DT filters.

Performance Data





W350

Max Flow: 50 gpm (189 lpm)



Head Assembly Choices

Port Size	Bypass Rating	Seal Material	Indicator Style & Location	Part No.
SAE-16 O-Ring	50 psi / 3.45 bar	Nitrile	Port Machined & Plugged	P574245
SAE-16 O-Ring	90 psi / 6.21 bar	Nitrile	Port Machined & Plugged	P574246
SAE-16 O-Ring	None	Nitrile	Port Machined & Plugged	P574247

Housing Choices

Housing Length	Seal Material	Part No.
4" (101.6mm)	Nitrile	X011556
8" (203.2mm)	Nitrile	X011558

Service Part Choices

Part No.	Description
X011170	Head/Bowl/Housing Seal Kit - nitrile
X011171	Head/Bowl/Housing Seal Kit - fluorocarbon

Indicator Choices

Indicator Pressure Setting	Connector Style	Seal Material	Part No.	Thermal Lockout	Surge Control	Reset
Visual Pop-up Models						
35 psi / 241 kPa	NA	Nitrile	P572347	No	No	Auto
35 psi / 241 kPa	NA	Nitrile	P572348	Yes	Yes	Manual
35 psi / 241 kPa	NA	Fluorocarbon	P567456	Yes	Yes	Manual
70 psi / 482 kPa	NA	Nitrile	P572319	Yes	Yes	Manual
70 psi / 482 kPa	NA	Fluorocarbon	P567457	Yes	Yes	Manual
100 psi / 690 kPa	NA	Nitrile	P572353	Yes	Yes	Manual
100 psi / 690 kPa	NA	Fluorocarbon	P572354	Yes	Yes	Manual
Electrical / Visual Models						
35 psi / 241 kPa	Hirschman	Nitrile	P572327	No	No	Auto
35 psi / 241 kPa	Brad Harrison	Nitrile	P572329	No	No	Auto
35 psi / 241 kPa	Hirschman	Nitrile	P572384	Yes	Yes	Manual
35 psi / 241 kPa	Hirschman	Fluorocarbon	P567458	Yes	Yes	Manual
35 psi / 241 kPa	Brad Harrison	Nitrile	P572385	Yes	Yes	Manual
35 psi / 241 kPa	3 wire flying leads	Nitrile	P572349	No	No	Auto
70 psi / 482 kPa	Hirschman	Nitrile	P572320	Yes	Yes	Manual
70 psi / 482 kPa	Hirschman	Fluorocarbon	P567459	Yes	Yes	Manual
70 psi / 482 kPa	Hirschman	Nitrile	P572373	Yes	No	Manual
70 psi / 482 kPa	Hirschman	Fluorocarbon	P569639	Yes	No	Manual
100 psi / 690 kPa	Hirschman	Nitrile	P572387	Yes	Yes	Manual
Electrical Models						
35 psi / 241 kPa	Hirschman	Nitrile	P572359	No	No	Auto
35 psi / 241 kPa	Brad Harrison	Nitrile	P572361	No	No	Auto
70 psi / 482 kPa	Hirschman	Nitrile	P572369	No	No	Auto