



HPK05

Max Flow: 200 gpm (757 lpm)



HPK05 In-Line Cartridge Filters

Working Pressures to:

3000 psi / 20,700 kPa / 206.9 bar

Rated Static Burst to:

6000 psi / 41,400 kPa / 413.8 bar

Flow Range To:

200 gpm / 757 lpm

Applications

- High Pressure Circuits
- Hydrostatic Transmission
- In-Plant Systems
- Lube Oil Systems
- Mobile Equipment



Features

The HPK05 high pressure filter series is made of ductile iron and steel for strength and durability. Machined bypass valves are case-hardened at critical points to provide maximum strength and reliability.

Reverse flow bypass valve allows bi-directional flow through the filter head, with head-up or head-down mounting capabilities. Available with your choice of visual or AC/DC electrical service indicator; choose fluorocarbon or nitrile seals. The HPK05 filters contain Synteq™, Donaldson's exclusive synthetic fiber media formulated especially for hydraulic filtration. Upgraded Donaldson high-performance DT filters are also offered for superior performance.

Beta Rating

- Performance to $\beta_{<4(\mu)}=1000$

Porting Size Options

- 2" SAE 4-Bolt Flange Code 61

Replacement Filter Lengths

- 25.53"/648mm
- 25.9"/657.9mm

Standard Bypass Ratings

- 60 psi / 414 kPa / 4.1 bar with reverse-flow check valve
- No Bypass

Assembly Weight

- 63 lbs / 28.5

Operating Temperatures

- -20°F to 250°F / -29°C to 121°C

Filter Collapse Ratings

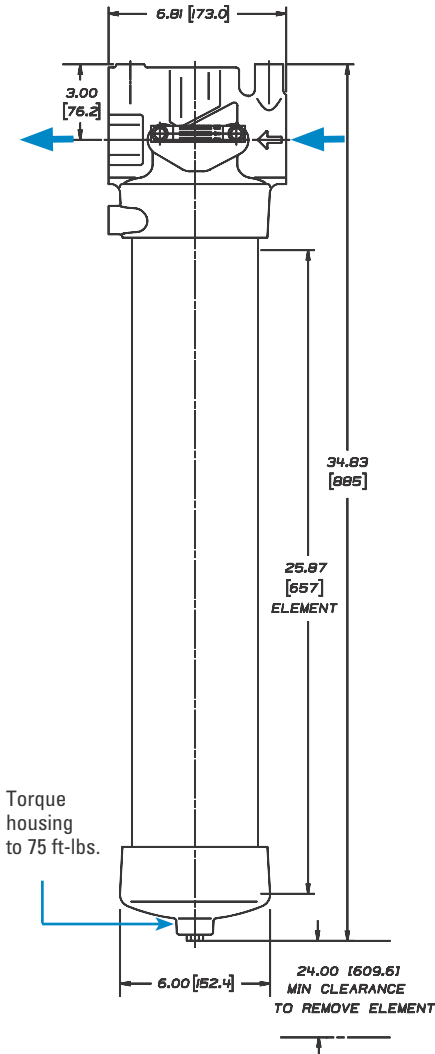
- 200 psi / 1380 kPa / 13.8 bar (standard)
- 3000 psi / 20,700 kPa / 206.9 bar (high collapse)



HPK05 Specification Illustrations

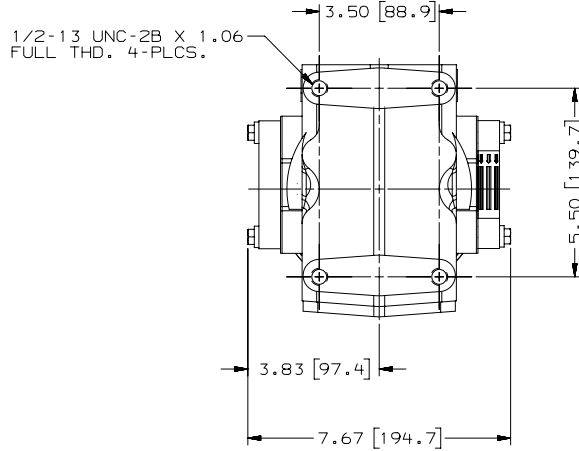
ASSEMBLY - SIDE VIEW

All dimensions are shown in inches [millimeters].

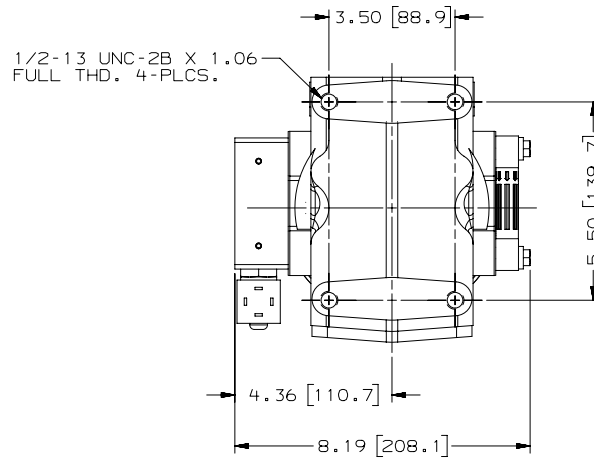


HEAD - TOP VIEW

HPK05 with Visual Service Indicator

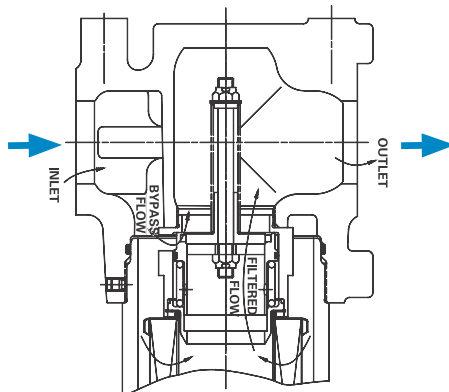


HPK05 with AC/DC Electrical Service Indicator

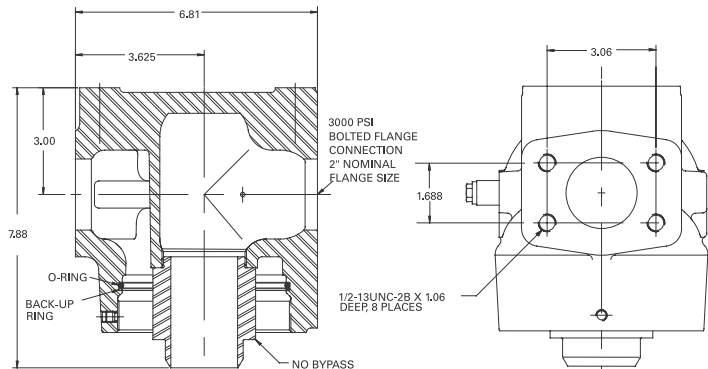


BYPASS VALVE ALTERNATIVES

60 psi /414 kPa Bypass Valve with Reverse Flow Check Valve



No Bypass





HPK05

Max Flow: 200 gpm (757 lpm)



HPK05 Components

Filter Choices

Media Type	$\beta_{x(c)} = 1000$	Length		Part No.	Comments
	Rating based on ISO 16889	in	mm		
DT Synthetic	5 μm	25.9	658	P566450	DT-9400-26-5UM
	8 μm	25.9	658	P566451	DT-9400-26-8UM
	12 μm	25.9	658	P566452	DT-9400-26-14UM
	23 μm	25.9	658	P566453	DT-9400-26-25UM
	5 μm	25.9	658	P566642	DT-9901-26-5UM, High collapse
	12 μm	25.9	658	P566643	DT-9901-26-14UM, High collapse

Filter Notes: All Donaldson DT filters utilize glass fiber media with an epoxy-based resin system for the ultimate in chemical compatibility. All Donaldson DT filters are potted with epoxy-based adhesives. Standard collapse DT designs are double wire-backed using epoxy-coated steel mesh for maximum pleat support and dirt capacity. High collapse designs are double wire-backed using stainless steel mesh. High collapse designs are also potted into machined aluminum endcaps for greater filter integrity in critical applications. Fluorocarbon seals are standard on all Donaldson DT filters.

Assembly Choices

Includes Standard Filter

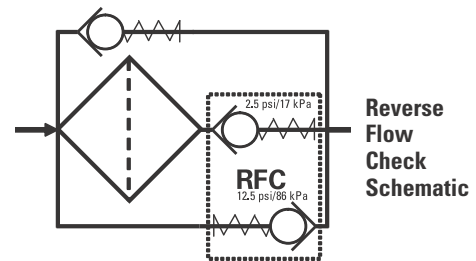
Port Size	Bypass Rating	Indicator Style/ Location ¹	Assembly Number	Filter Part No.
2" SAE 4-Bolt Flange (Code 61)	60 psi / 414 kPa / 4.1 bar Reverse flow check valve	Visual, Left side	K052024	P566450
	No Bypass	Visual & Electrical ²	K052039	P566643 ³

Assembly Notes

¹Donaldson uses the inlet port as the reference point. "Left side," for instance, means that the indicator mounts on the side of the filter head that is on your left when you face the inlet port.

²Visual indicator is mounted on left side of the head; electrical indicator (P170365) is mounted on the right side.

³Rated as high collapse (3000 psi / 20700 kPa); has fluorocarbon seals.



Service Indicator Kits (All kits include indicator with mounting block)

Part No.	Bypass Valve Pressure of:	Description
Visual Service Indicators		
P569632	60 psi / 4.1 bar	35 psi/2.4 bar indicator kit auto reset pop-out button
P569633	90 psi / 6.2 bar	70 psi/4.8 bar indicator kit auto reset pop-out button
P567988	60 psi / 4.1 bar	35 psi/2.4 bar indicator kit auto reset pop-out button with thermal lockout and surge control
P567989	90 psi / 6.2 bar	70 psi/4.8 bar indicator kit* auto reset pop-out button with thermal lockout and surge control
AC/DC Visual/Electrical Service Indicators		
P569634	60 psi / 4.1 bar	35 psi/2.4 bar indicator kit Hirschmann receptacle 115 VAC/28 VDC, 2 amps
P569635	90 psi / 6.2 bar	70 psi/4.8 bar indicator kit Hirschmann receptacle 115 VAC/28 VDC, 2 amps
P567986	60 psi / 4.1 bar	35 psi/2.4 bar indicator kit with thermal lockout & surge control, Hirschmann receptacle, 115 VAC/28 VDC, 2 amps, 4 pin DIN 43650
P567987	90 psi / 6.2 bar	70 psi/4.8 bar indicator kit with thermal lockout & surge control, Hirschmann receptacle, 115 VAC/28 VDC, 2 amps, 4 pin DIN 43650

Indicator Choices (Replacement Indicator Only)

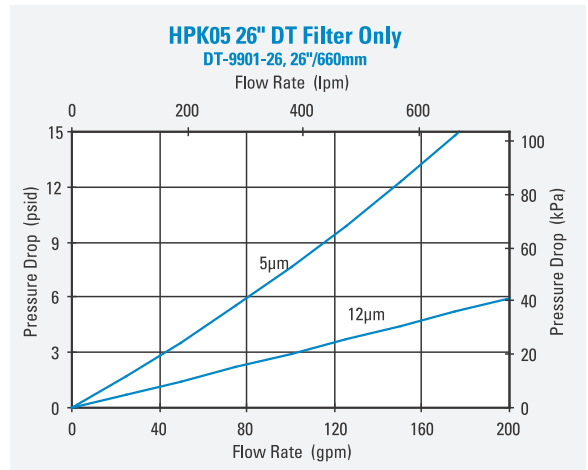
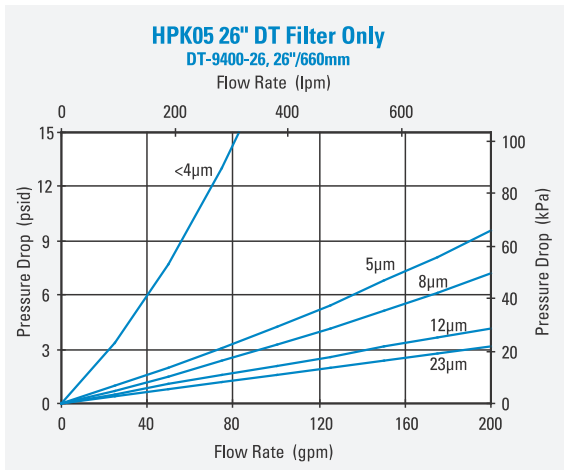
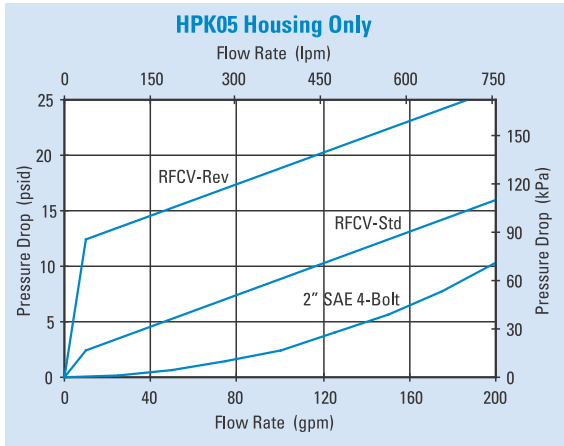
Part No.	Description	Part No.	Description
P567458	Visual/Electrical indicator with thermal lockout and surge, 35 psid/2.4 bar	P569638	Visual/Electrical Indicator, 35 psid/2.4 bar
P567459	Visual/Electrical indicator, with thermal lockout and surge, 70 psid/4.8 bar	P569639	Visual/Electrical Indicator, 70 psid/4.8 bar
P567456	Pop-Up Visual Indicator, with thermal lockout and surge, 35 psid/2.4 bar	P164315	Visual Indicator, bar style, 35 psid/2.4 bar
P567457	Pop-Up Visual Indicator, with thermal lockout and surge, 70 psid/4.8 bar	P166603	Visual Indicator, bar style, 70 psid/4.8 bar
P569636	Pop-Up Visual Indicator, 35 psid/2.4 bar	P166134	Blanking plate
P569637	Pop-Up Visual Indicator, 70 psid/4.8 bar		

Indicator Mounting Block

P573495	Mounting Block Assembly
---------	-------------------------



Performance Data





HPK05

Max Flow: 200 gpm (757 lpm)



HPK05 Service Parts

SERVICE PARTS NOTE:
Some service parts may not be stocked. Please contact your Donaldson sales representative for lead time details.

