



HNK04/05

Max Flow: 35 gpm (133 lpm) / 50 gpm (189 lpm)



HNK04/05 DURAMAX® Spin-On Filters

Working Pressures to:

HNK04: 500 psi / 3450 kPa / 34.5 bar

HNK05: 350 psi / 2415 kPa / 24.1 bar

Rated Static Burst to:

HNK04: 1000 psi / 6895 kPa / 69 bar

HNK05: 800 psi / 5515 kPa / 55 bar

Flow Range To:

HNK04: 35 gpm / 133 lpm

HNK05: 50 gpm / 189 lpm

Applications

- Case Drains
- Cooling Circuits
- Fluid Conditioning Systems
- Fuel Transfer
- Hydrostatic Charge Pumps
- Lube Oil Systems
- Power Transmissions
- Return Lines
- Side Loop Systems



Features

HNK Duramax® filters utilize a RadialSeal™ design – making servicing easier and providing a more reliable seal without having to torque to specification.

- Applications include hydrostatic charge side filtration, pilot circuits, power shift transmissions and kidney loop circuits.
- Utilizes Synteq™ filter media for high filtration efficiency and higher dust-holding capacity.
- Improved performance including higher burst, greater fatigue strength and longer filter life.

Beta Rating

- Performance to β_{1000}

Porting Size Options

- HNK04: SAE-12, SAE-16 O-Ring
- HNK05: SAE-20 O-Ring

Replacement Filter Lengths

- 04 short: 5.97" / 151.7mm
- 04 long: 9.44" / 239.8mm
- 05 short: 11.63" / 295.4mm
- 05 long: 14.24" / 361.7mm

Standard Bypass Ratings

- 50 psi / 345 kPa / 3.5 bar
- No Bypass

Assembly Weight

- 04 short: 5.97" length - 3.95 lbs / 1.8 kg
- 04 long: 9.44" length - 4.7 lbs / 2.1 kg
- 05 short: 11.63" length - 7.35 lbs / 3.3 kg
- 05 long: 14.24" length - 8.0 lbs / 3.6 kg

Operating Temperatures

- -20° to 250°F (-29° to 121°C)

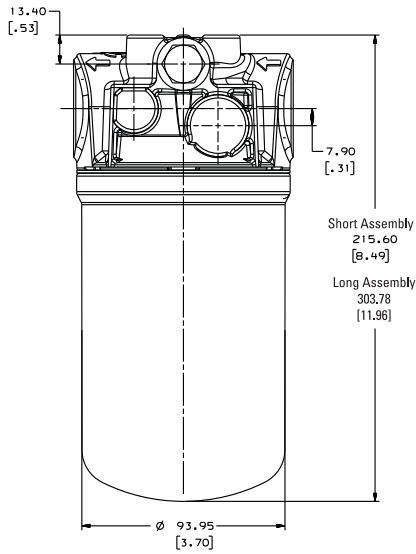
Filter Collapse Ratings

- 235 psi / 1621 kPa / 16.2 bar

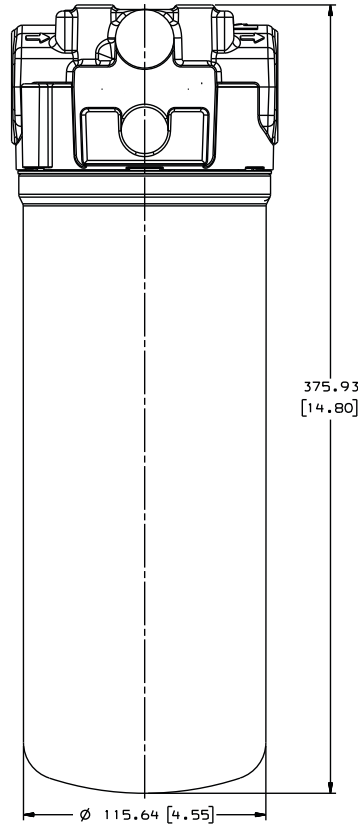
HNK04/05 Specification Illustrations

HNK04 SPIN-ON ASSEMBLY - SIDE VIEW

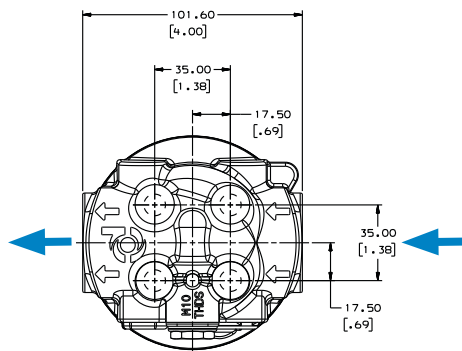
All dimensions are shown in inches [millimeters].



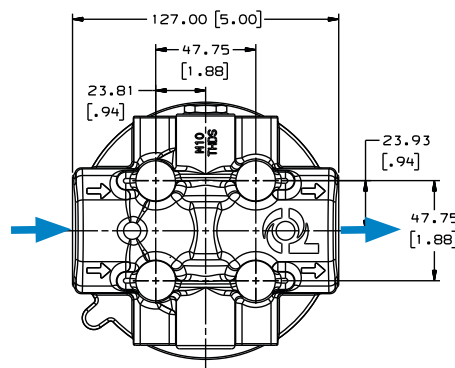
HNK05 SPIN-ON ASSEMBLY - SIDE VIEW



HNK04 HEAD - TOP VIEW



HNK05 HEAD - TOP VIEW





HNK04/05

Max Flow: 35 gpm (133 lpm) / 50 gpm (189 lpm)



HNK04/05 Components

Filter Choices for HNK04

Media Type	$\beta_{x(e)} = 1000$	Length		Part No.
	Rating based on ISO 16889	in	mm	
Synteq Synthetic	6 μm	5.97	151.7	P569203
	6 μm	9.44	239.8	P569204
	11 μm	5.97	151.7	P569205
	11 μm	9.44	239.8	P569206

Filter Choices for HNK05

Media Type	$\beta_{x(e)} = 1000$	Length		Part No.
	Rating based on ISO 16889	in	mm	
Synteq Synthetic	6 μm	11.63	295.4	P569209
	6 μm	14.24	361.7	P569210
	11 μm	11.63	295.4	P569211
	11 μm	14.24	361.7	P569212

Filter Notes: • Refer to table in the Technical Reference Guide for fluid compatibility with our filter media.

Head Choices for HNK04

Port Size	Bypass Rating	Part No.	Indicators	Style	Mounting Threads
SAE-12	50 psi / 3.5 bar	P568856	none	optional elect.	M10x1.5-6H
SAE-12	No bypass	P568857	none	optional elect.	M10x1.5-6H
SAE-16	50 psi / 3.5 bar	P568858	none	optional elect.	M10x1.5-6H
SAE-16	No bypass	P568859	none	optional elect.	M10x1.5-6H

Head Choices for HNK05

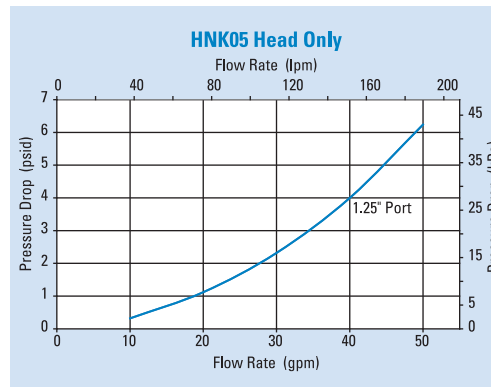
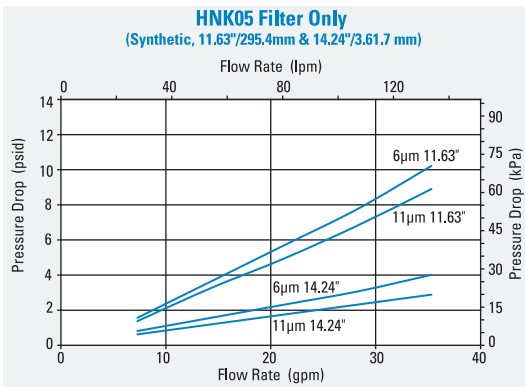
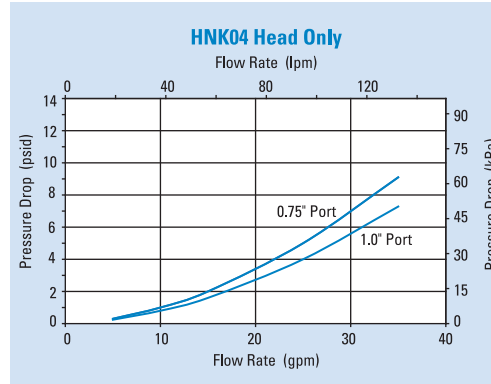
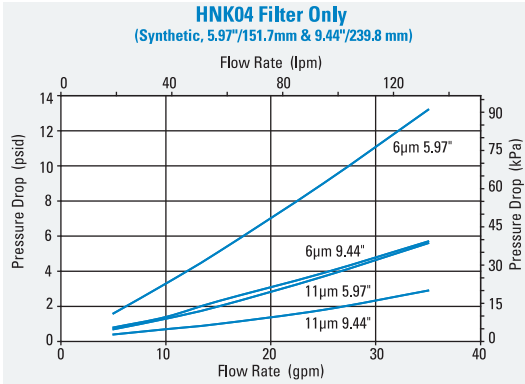
Port Size	Bypass Rating	Part No.	Indicators	Style	Mounting Threads
SAE-20	50 psi / 3.5 bar	P568860	none	optional elect.	M10x1.5-6H
SAE-20	No bypass	P568861	none	optional elect.	M10x1.5-6H

Indicator Choices

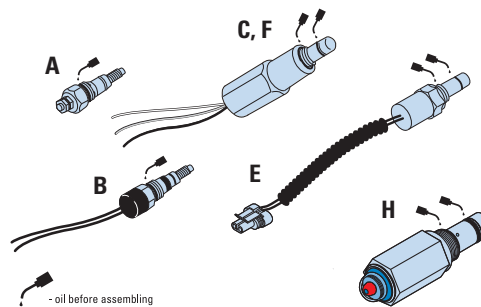
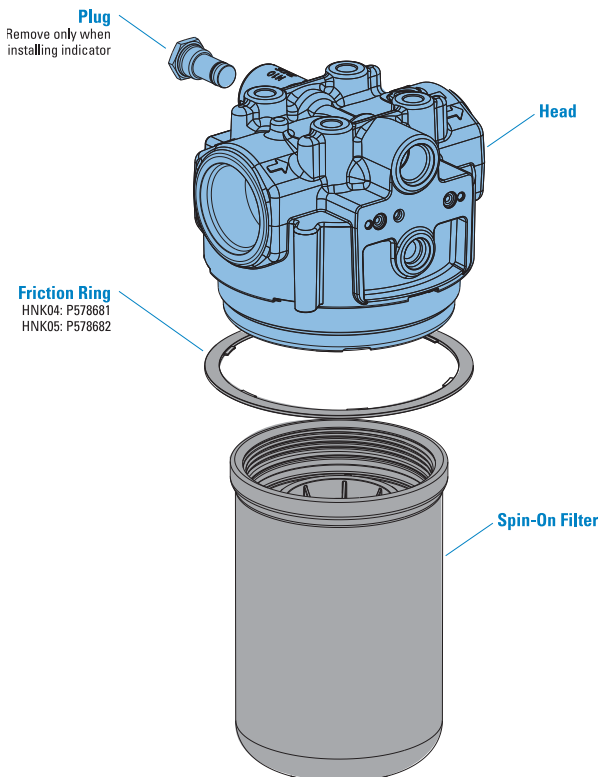
Set Point/Type	Part No.	Description
50 psi / 345 kPa	P165194	Electric Single post DC
25 psi / 172 kPa	P575334	Visual Indicator, Pop up
50 psi / 345 kPa	P575335	Visual Indicator, Pop up



Performance Data



Service Parts



SERVICE PARTS NOTE:

Some service parts may not be stocked. Please contact your Donaldson sales representative for lead time details.