



FPK04

Max Flow: 100 gpm (379 lpm)



## FPK04 In-Line Cartridge Filters

### Working Pressures to:

4350 psi / 30,015 kPa / 300 bar

### Rated Static Burst to:

9135 psi / 63,000 kPa / 630 bar

### Flow Range To:

100 gpm / 379 lpm

### Applications

- High Pressure Circuits
- In-Plant Systems
- Meets HF3 Specification
- Mobile Equipment
- Servo Valve Circuits



### Features

The FPK04 T-type ported series offers flows up to 100 gpm (379 lpm) with a bypass option and conforms to the HF3 automotive standard. Donaldson Synteq™ media is offered in a variety of designs. Upgraded Donaldson high-performance DT filters are also offered for superior performance. The differential pressure indicator line is designed to work with the wide assortment of bypass valve options.

- Conforms to HF3 specifications
- High collapse filters available for use with non-bypass applications
- Wide range of indicator options
- Three housing length options for design flexibility
- Nitrile seals standard, fluorocarbon available
- Head material: cast iron
- Housing material: steel

### Beta Rating

- Performance to  $\beta_{<4(\mu)}=1000$

### Porting Size Options

- SAE-20 O-Ring

### Replacement Filter Lengths

- 4.56" / 116mm
- 4.59" / 117mm
- 8.19" / 208mm
- 8.22" / 209mm
- 8.23" / 209mm
- 12.85" / 326mm
- 12.87" / 327mm
- 12.91" / 328mm

### Standard Bypass Ratings

- 87 psi / 600 kPa / 6.0 bar
- No Bypass

### Assembly Weight

- 4.59": 26.4 lbs / 12.0 kg
- 8.22": 33 lbs / 15.0 kg
- 12.91": 33 lbs / 15.0 kg

### Operating Temperatures

- -4° to 248°F (-20° to 120°C)

### Filter Collapse Ratings

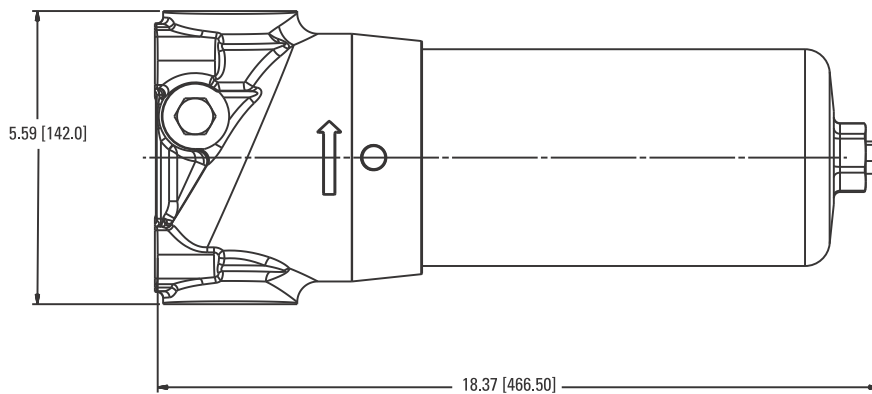
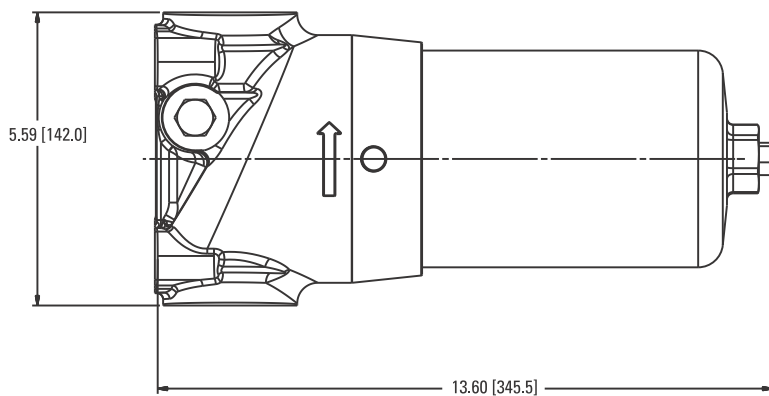
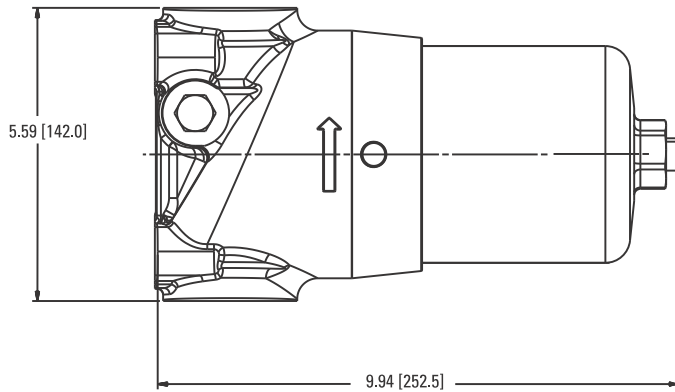
- 290 psi / 1999 kPa / 20.0 bar (standard)
- 3000 psi / 20,700 kPa / 206.8 bar (wire mesh)



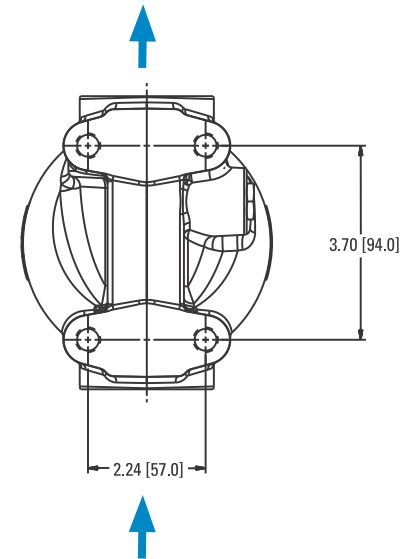
## FPK04 Specification Illustrations

### ASSEMBLY - SIDE VIEW

All dimensions are shown in inches [millimeters].



### HEAD - TOP VIEW





## FPK04 Components

### Filter Choices

Media Type	$\beta_{x(c)} = 1000$	$\beta_{x(c)} = 2$	Length		Part No.	Comments
	Rating based on ISO 16889		in	mm		
DT Synthetic	<4 $\mu\text{m}$		4.59	117	P566204	DT-9600-4-2UM
	5 $\mu\text{m}$		4.59	117	P566205	DT-9600-4-5UM
	5 $\mu\text{m}$		4.58	116.3	P167184	DT-9601-4-5UM, High Collapse
	8 $\mu\text{m}$		4.59	117	P566206	DT-9600-4-8UM
	12 $\mu\text{m}$		4.59	117	P566207	DT-9600-4-14UM
	12 $\mu\text{m}$		4.58	116.3	P167843	DT-9601-8-14UM, High Collapse
	23 $\mu\text{m}$		4.59	117	P566208	DT-9600-4-25UM
	<4 $\mu\text{m}$		8.22	209	P566209	DT-9600-8-2UM
	5 $\mu\text{m}$		8.22	209	P566210	DT-9600-8-5UM
	5 $\mu\text{m}$		8.20	208.3	P167185	DT-9601-4-14UM, High Collapse
	8 $\mu\text{m}$		8.22	209	P566211	DT-9600-8-8UM
	12 $\mu\text{m}$		8.22	209	P566212	DT-9600-8-14UM
	12 $\mu\text{m}$		8.20	208.3	P167186	DT-9601-13-5UM, High Collapse
	23 $\mu\text{m}$		8.22	209	P566213	DT-9600-8-25UM
	<4 $\mu\text{m}$		12.91	328	P566214	DT-9600-13-2UM
	5 $\mu\text{m}$		12.91	328	P566215	DT-9600-13-5UM
	5 $\mu\text{m}$		12.88	327.2	P167411	DT-9601-8-5UM, High Collapse
	8 $\mu\text{m}$		12.91	328	P566216	DT-9600-13-8UM
	12 $\mu\text{m}$		12.91	328	P566217	DT-9600-13-14UM
	12 $\mu\text{m}$		12.88	327.2	P167412	DT-9601-13-14UM, High Collapse
23 $\mu\text{m}$		12.91	328	P566218	DT-9600-13-25UM	
Water Absorbing		10 $\mu\text{m}$	8.20	208.3	P569528	9600 Absorbs 180 ml of water @ 25 psid
		10 $\mu\text{m}$	12.93	328.4	P569529	9600 Absorbs 220 ml of water @ 25 psid
Wire Mesh		75 $\mu\text{m}$	8.20	208.3	P162233	9600 Nitrile, Wire mesh



Filter Notes: All Donaldson DT filters utilize glass fiber media with an epoxy-based resin system for the ultimate in chemical compatibility. All Donaldson DT filters are potted with epoxy-based adhesives. Standard collapse DT designs are double wire-backed using epoxy-coated steel mesh for maximum pleat support and dirt capacity. Fluorocarbon seals are standard on all Donaldson DT filters. Refer to the table in the Technical Reference Guide for fluid compatibility with our filter media. If you're filtering diester, phosphate ester fluids, water glycol, water/oil emulsions, and HWCF over 150°F/83°C, use filters with seals made of fluorocarbon. High collapse designs are double wire-backed using stainless steel mesh. High collapse designs are also potted into machined aluminum endcaps for greater filter integrity in critical applications. Donaldson "high collapse" filters, with their steel end caps and wire-backed media, are rated to withstand up to 3000 psi/20,700 kPa before collapsing. The fluorocarbon seal/high collapse filters also use epoxy potting and media seam seals for added chemical compatibility.

### Head Choices

Port Size	Bypass Rating	Indicators	Part No.
SAE-20	87 psi / 6 bar	plugged only	P568720
SAE-20	No bypass	plugged only	P568721

### Housing Choices

Filter Length	Part No.
4.6" (116.8mm)	P568722
8.2" (208.3mm)	P568723
12.9" (327.7mm)	P568724

Notes: Housings include the head to housing seal.

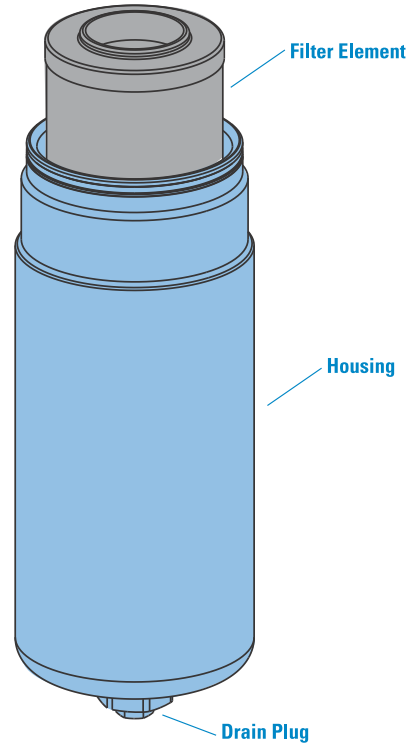
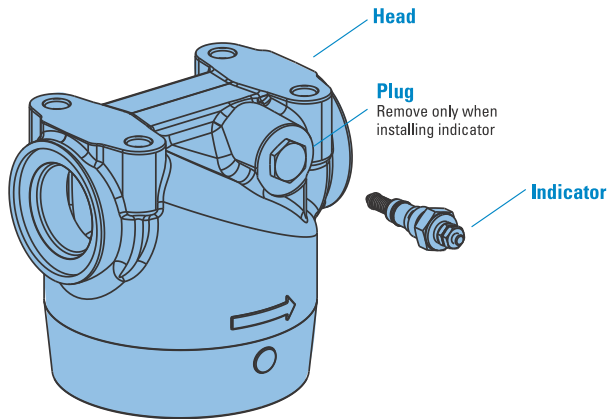
### Indicator Choices

Set Point / Type	Part No.
39 psi / 2.7 bar, electrical, normally open.	P165194
39 psi / 2.7 bar, electrical, normally closed, D.C. two-wire	P574967
39 psi / 2.7 bar, electrical, normally open, D.C. two-wire	P574968

## FPK04 Service Parts

### SERVICE PARTS NOTE:

Some service parts may not be stocked. Please contact your Donaldson sales representative for lead time details.



## Performance Data





Performance Data

