



3M Housings ME Single Series

For Single Bag Filters

The ME single series bag filter housings are available in a variety of formats to provide a range of options for single filter bag or DuoFLO™ filtration applications.

The MEB Single bag housings are constructed from either 316L or 304 stainless steel and manufactured to design and construction code EN13445 Group 3.

They are produced in accordance with Article 3.3 “Sound Engineering Practice” of the European Pressure Equipment Directive (PED) 97/23/CE as standard.

They are designed for a maximum operating pressure of 10 bar g and a maximum operating temperature of 90 °C.

This standard MEB design can, upon request, be produced for PED coded applications including Group 1 (Hazardous) gas or vapour (whilst remaining within the stated pressure and temperature limits). All dimensional details remain as shown here.

The MES, MEC and MET vessels provide an economic and flexible solution for non- coded PED Article 3.3 applications and are constructed from 316L stainless steel as standard. They have a maximum operating pressure of 10 bar g and a maximum operating temperature of 90 °C.

Please consult your local 3M Purification representative for any other classification or further information.



Housing Type	01 MEB	01 MEC	01 MES	01 MET
Inlet/outlet Connections	2" BSPT (male)	2" BSPT (male)	2" BSPT (male)	50 mm DIN PN16
Vent Connections	1/4" BSP	1/4" BSP	1/4" BSP	1/4" BSP
Drain Connection	N/A	1/2" BSP	N/A	N/A
Filter Bag Sizes	1 and 2 high	1 and 2 high	2 high	2 high
Housing Material	304 or 316L Stainless Steel	316L Stainless Steel		
Standard Gasket Material	Nitrile as standard (others available as accessories)			
Design condition	10 bar g at 90 °C			

Vessel			01MEB		01MEC		01MES	01MET
Element Height			H1	H2	H1	H2	H2	H2
Vessel Volume (litres)			23	36	21	33	41	33
Liquid	Group 1 (Hazardous)	PS max	8,7	5,5	9,5	6,0	4,8	6,0
	Group 2 (Other)	PS max	10	10	10	10	10	10

Applications

Industrial Processes

- Parts Washers, Coolants, Cooling Water

Water Treatment

- Pre-RO, Waste Water

Refining

- Amine, Final Products

Petrochemicals

- Bulk Solids Removal

Chemicals

- Product Trans

Electronics

- Pre-RO

Paint & Coatings

- Phosphate E-Coat

Food & Beverage

- Process Water, Edible Oils

Pharmaceutical

- Bulk Chemicals



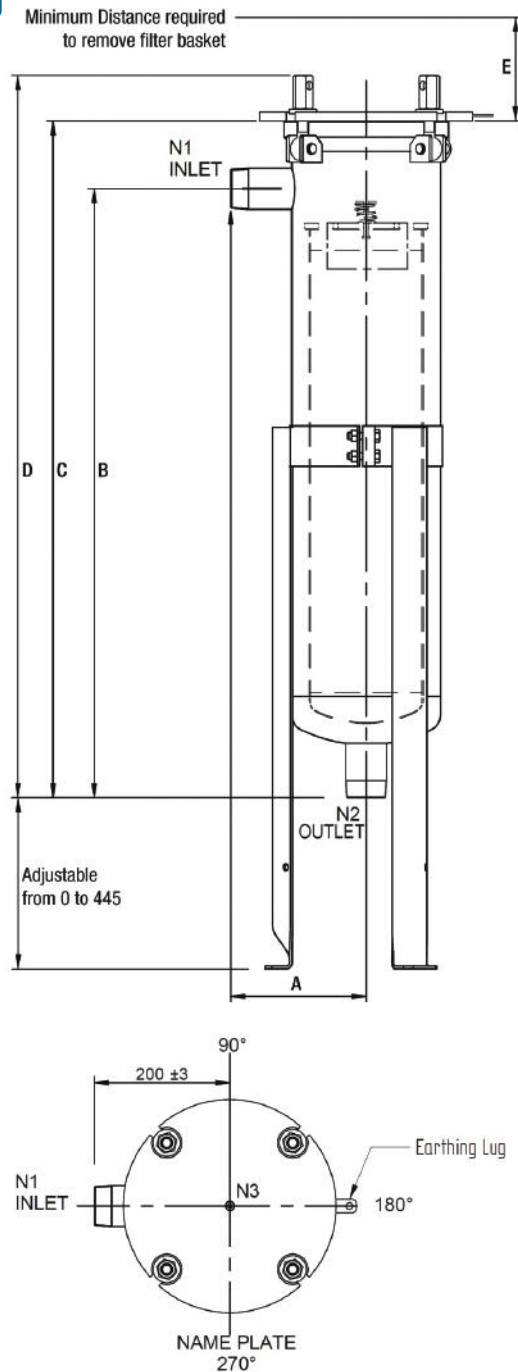


Table 3: Dimensions in mm *

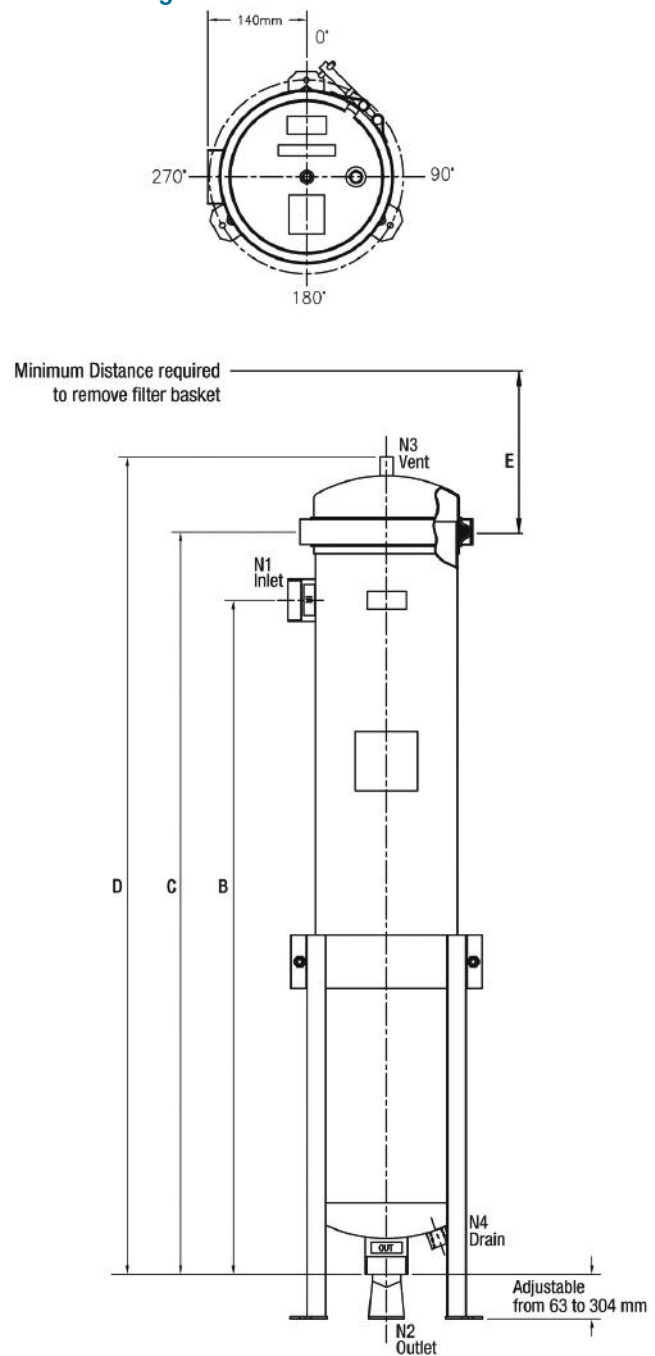
	A Inlet to Outlet (diameter)	B Inlet to Outlet (height)	C Closure to Outlet	D Unit Height	E Clearance	Floor to Outlet	Weight
01MEB1	200	545	645	700	400	up to 445	35 kg
01MEB2	200	900	1000	1055	750	up to 445	45 kg
01MEC1	141	584	663	790	349	up to 304	19 kg
01MEC2	141	965	1044	1171	730	up to 304	22 kg
01MES2	168	930	1059	1304	730	up to 304	39 kg
01MET2	270	765	860	1103	730	up to 304	48 kg

* Dimensions are for overall space requirements only. For all other uses, request a certified drawing.

MEB Housing



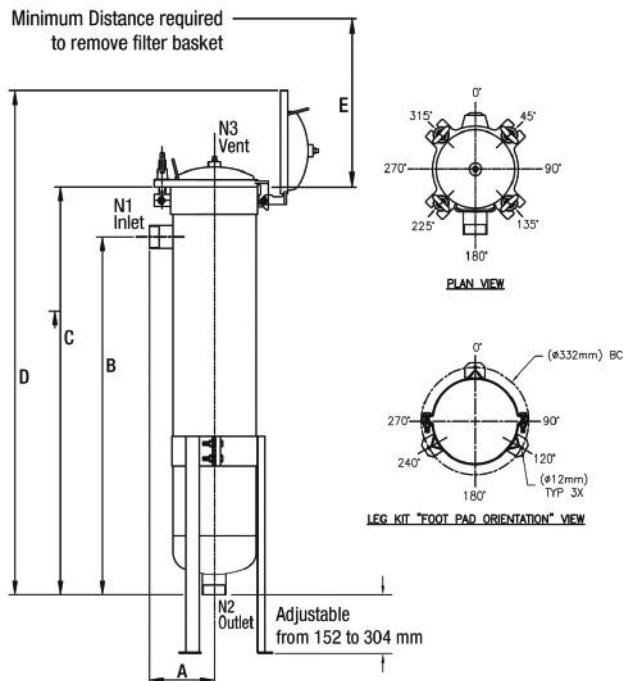
MEC Housing



3M Housings ME Single Series

For Single Bag Filters

MES Housing



MET Housing

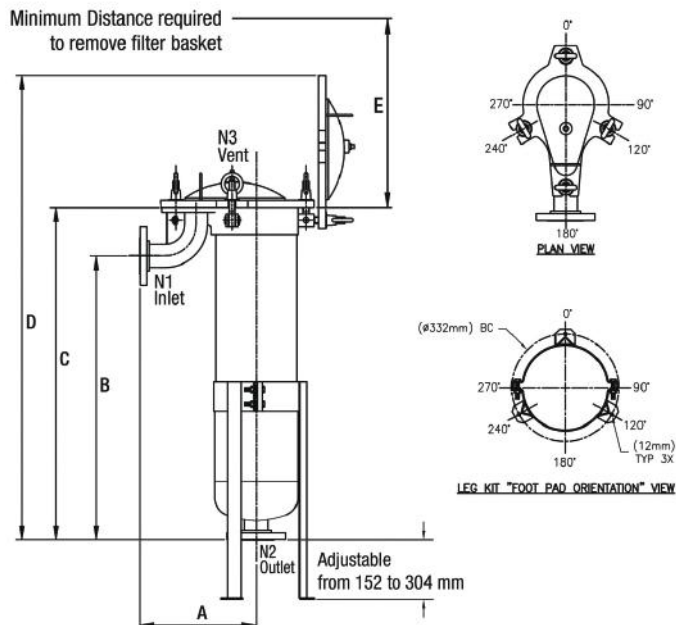


Table 4: ME Housing Part Numbers

3M Part Number	Number of Cartridges	Housing Type	Cartridge Height	Range	Materials (Wetted)	Gaskets	Surface Finish	Connection Type	Bottom Outlet
GT500066870	01	MEB	1	V	6	NB	FO	GM	DN
GT500066888	01	MEB	1	V	4	NB	FO	GM	DN
GT500066896	01	MEB	2	V	6	NB	FO	GM	DN
GT500066904	01	MEB	2	V	4	NB	FO	GM	DN
GT60000969	01	MEC	1	V	6	NB	FE	GM	D
GT600017021	01	MEC	2	V	6	NB	FE	GM	D
GT600017039	01	MES	2	V	6	NB	FE	GM	D
GT600017047	01	MET	2	V	6	NB	FE	BP	D

Table 5: Spare Parts Ordering Guide

Item	Designation	Material	Qty	3M Part No.
1	Filter Bag Basket H1	316L Stainless Steel	1	GT600017054
2	Filter Bag Basket H2	316L Stainless Steel	1	GT600017062
3	DuoFLO Element Basket H1	316L Stainless Steel	1	JN720019460
4	DuoFLO Element Basket H2	316L Stainless Steel	1	JN720019452
5	Locking Handle (MEB)	316L Stainless Steel	1	FD000114542

Table 6: Cover Gasket

Standard ME Housing Type	MEB	Qty	MEC	Qty	MES	Qty	MET	Qty
NB Nitrile	FD000114914	1	FD000075164	1	FD000069043	1	FD000075669	1
Nitrile O-Ring : Lid							FD000124194	1

3M Housings ME Single Series

For Single Bag Filters

Ordering Guide ME Single Series Range

Number of Elements	Type of Housing	Bag Size	Range	Housing Material	Gasket Material	Surface Finish	Type of Connection	Outlet	Option Elbow Bottom Outlet
01	MEB	1 2	V = Vertical	4 = 304L 6 = 316L	NB = Nitrile*	FO = Acid Pickle Passivated/Glass Bead Blasted	GM = 2" Male (BSP)	D = Bottom Outlet	N = None
01	MEC	1 2	V = Vertical	6 = 316L	NB = Nitrile*	FE	GM = 2" Male (BSP)	D = Bottom Outlet	N = None
01	MES	2	V = Vertical	6 = 316L	NB = Nitrile*	FE	GM = 2" Male (BSP)	D = Bottom Outlet	N = None
01	MET	2	V = Vertical	6 = 316L	NB = Nitrile*	FE	BP = Flanged (ISO PN16)	D = Bottom Outlet	N = None

Example Part Number: 01MEB1V4NBF0GMDN

* Other gasket materials are available to order on request (see cover gasket spare parts). Please contact a local 3M Purification representative for more information.

Important Notice

3M Purification MAKES NO WARRANTIES, EXPRESS OR IMPLIED, INCLUDING, BUT NOT LIMITED TO, ANY IMPLIED WARRANTY OF MERCHANTABILITY OR FITNESS FOR A PARTICULAR PURPOSE. Since a variety of factors can affect the use and performance of a 3M Purification product in a particular application, some of which are uniquely within the user's knowledge and control, user is responsible for determining whether or not the 3M Purification product is fit for a particular purpose and suitable for user's method of application.

Limited Warranty

3M Purification warrants it this product to be free from defects in material and workmanship during normal use for a period of one (1) year from the date of shipment from the factory. If the Product(s) is (are) defective within this warranty period, your exclusive remedy and 3M Purification's sold obligations shall be, at 3M Purification's option, to replace or repair the Product(s) or refund the original purchase price of the Product(s) This warranty does not apply to failures that result from abuse, misuse, alteration or damage not caused by 3M Purification or failure to properly follow installation and use instructions.

Limitation of Liability: 3M Purification will not be liable for any loss or damage arising from the use of the Product(s), whether direct, indirect, special, incidental, or consequential, regardless of the legal theory asserted, including warranty, contract, negligence or strict liability. Some states do not allow the exclusion or limitation of incidental or consequential damages, so the above limitation may not apply to you.

This warranty gives you specific legal rights and you may have other rights which vary from state to state, or country to country.



3M United Kingdom plc 3M Purification

3M Centre, Cain Road
Bracknell, RG12 8HT
United Kingdom
Tel.: 0845 602 5237
Fax: +44 (0)1344 858559
E-mail: innovation.uk@mmm.com

For more contact addresses visit our website www.3M.eu/filtration or www.3Mpurification.com/international.

Data may be subject to change without further notice.

© 3M 2010. All rights reserved.

v.2 - DOC10011
LITHSMES1.EU - 0710