



W023

Max Flow: 60 gpm (227 lpm)



# W023 Spin-On Filters

## Working Pressures to:

150 psi / 1035 kPa / 10.3 bar

## Rated Static Burst to:

250 psi / 1725 kPa / 17.2 bar

## Flow Range To:

60 gpm / 227 lpm

## Applications

- Fluid Conditioning Systems
- In-Plant Systems
- Mobile Equipment
- Power Transmissions
- Process Systems



## Features

This versatile spin-on series is an excellent choice for use in high corrosion environments. The gray iron head construction can be ordered with a differential pressure indicator port. Take advantage of our mix and match system of heads and filters, so you get exactly what you need. You can choose the media type and configurations that's best for your application.

## Beta Rating

- Performance to  $\beta_{<4(c)}=1000$

## Porting Size Options

- 1 1/4" NPT
- SAE-20 O-Ring

## Performance Data

## Replacement Filter Lengths

- 6.7" / 170mm
- 10.7" / 271mm

## Assembly Weight

- 7.0 lbs / 3.2 kg (short)
- 8.0 lbs / 3.6 kg (long)

## Standard Bypass Ratings

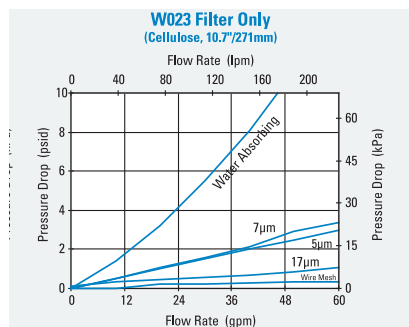
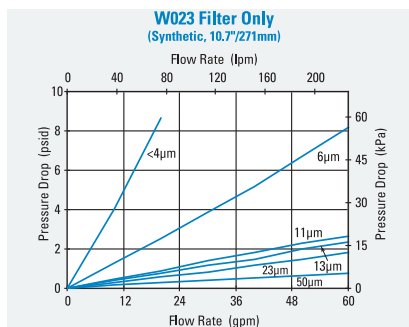
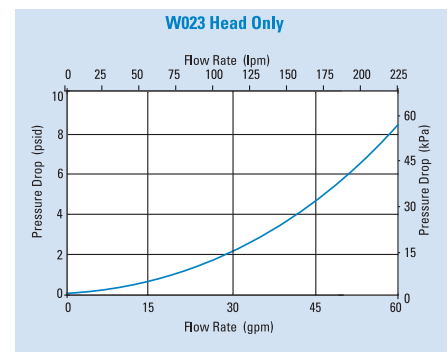
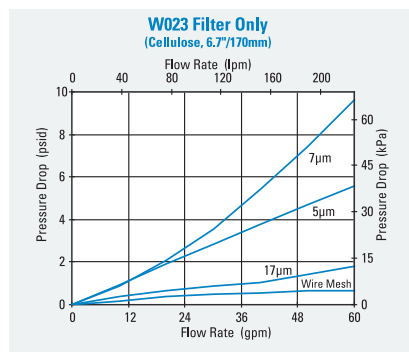
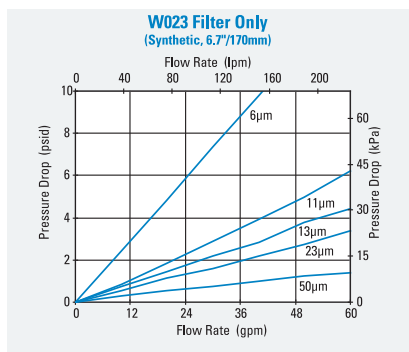
- 50 psi / 345 kPa / 3.5 bar
- No bypass

## Operating Temperatures

- -22°F to 225°F / -30°C to 107°C

## Filter Collapse Ratings

- 100 psid / 690 kPa / 6.9 bar



# W023 Components

## Filter Choices

Media Type	$\beta_{x(c)} = 2$	$\beta_{x(c)} = 1000$	Length		Part No.	Comments
	Rating based on ISO 16889		in	mm		
Synteq Synthetic		<4 $\mu\text{m}$	10.7	271	P167796	Fluorocarbon O-Ring & square seal kit. Compatible with water glycol.
		6 $\mu\text{m}$	6.7	170	P167162	3-seal kit
		6 $\mu\text{m}$	10.7	271	P165762	3-seal kit
		11 $\mu\text{m}$	6.7	170	P165875	3-seal kit
		11 $\mu\text{m}$	10.7	271	P165876	3-seal kit
		13 $\mu\text{m}$	6.7	170	P167944	Fluorocarbon O-Ring & square seal kit. Compatible with water glycol.
		13 $\mu\text{m}$	10.7	271	P167945	Fluorocarbon O-Ring & square seal kit. Compatible with water glycol.
		23 $\mu\text{m}$	6.7	170	P165877	3-seal kit
		23 $\mu\text{m}$	10.7	271	P165878	3-seal kit
		50 $\mu\text{m}$	6.7	170	P165879	3-seal kit
		50 $\mu\text{m}$	10.7	271	P165880	3-seal kit
Cellulose	5 $\mu\text{m}$		6.7	170	P550386	3-seal kit
	5 $\mu\text{m}$		10.7	271	P550250	3-seal kit
	7 $\mu\text{m}$		6.7	170	P550388	3-seal kit
	7 $\mu\text{m}$		10.7	271	P550251	3-seal kit
	17 $\mu\text{m}$		6.7	170	P550387	3-seal kit
	17 $\mu\text{m}$		10.7	271	P550252	3-seal kit
Water Absorbing	10 $\mu\text{m}$		10.7	271	P561183	Cellulose media, 3-seal kit. Absorbs 350 ml water.
Wire Mesh	150 $\mu\text{m}$		6.7	170	P550275	Stainless steel wire mesh, 3-seal kit
	150 $\mu\text{m}$		10.7	271	P550276	Stainless steel wire mesh, 3-seal kit

Filter Notes: \* All models have 1/2-16 UNF threads except where otherwise noted. All models measure 5.0"/127mm outer diameter.

## Head Assembly Choices

Port Size	Bypass Rating	Seal Material	Indicator Style & Location	Part No.
SAE-20 O-Ring	50 psi / 3.45 bar	Nitrile	Port Machined & Plugged	P574241
1-1/4" NPT	None	Nitrile	Port Machined & Plugged	P575930

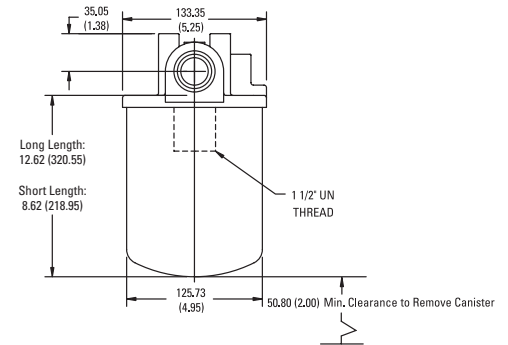
## Indicator Choices

Indicator Pressure Setting	Connector Style	Seal Material	Part No.	Thermal Lockout	Surge Control	Reset
<b>Visual Pop-up Models</b>						
15 psi / 103 kPa	N/A	Nitrile	P572345	No	No	Auto
35 psi / 241 kPa	N/A	Nitrile	P572347	No	No	Auto
35 psi / 241 kPa	N/A	Nitrile	P572348	Yes	Yes	Manual
35 psi / 241 kPa	N/A	Fluorocarbon	P567456	Yes	Yes	Manual
<b>Electrical / Visual Models</b>						
15 psi / 103 kPa	Hirschmann	Nitrile	P572323	No	No	Auto
15 psi / 103 kPa	3-wire flying leads	Nitrile	P572342	No	No	Auto
35 psi / 241 kPa	Hirschmann	Nitrile	P572327	No	No	Auto
35 psi / 241 kPa	Brad Harrison	Nitrile	P572329	No	No	Auto
35 psi / 241 kPa	Hirschmann	Nitrile	P572384	Yes	Yes	Manual
35 psi / 241 kPa	Hirschmann	Fluorocarbon	P567458	Yes	Yes	Manual
35 psi / 241 kPa	3-wire flying leads	Nitrile	P572349	No	No	Auto
<b>Electrical Models</b>						
15 psi / 103 kPa	Hirschmann	Nitrile	P572355	No	No	Auto
35 psi / 241 kPa	Hirschmann	Nitrile	P572359	No	No	Auto
35 psi / 241 kPa	Brad Harrison	Nitrile	P572361	No	No	Auto

## W023 Specification Illustrations

### ASSEMBLY - SIDE VIEW

All dimensions are shown in millimeters [inches].



### HEAD - TOP VIEW

