



SP15/25

Max Flow: 30 gpm (114 lpm)



## SP15/25 Spin-On Filters

### Maximum Working Pressures to:

150 psi / 1035 kPa / 10.3 bar

### Rated Static Burst to:

375 psi / 2590 kPa / 25.9 bar

### Flow Range To:

30 gpm / 114 lpm

### Features

The SP15/25 series are economical, low pressure filters with spin-on convenience and a wide range of cleanliness ratings. Filters are available with the bypass ratings of your choice – 25 psi, 15 psi, 5 psi or no bypass. Take advantage of our mix and match system of in-stock heads and filters, so you can get exactly what you need. Choose the media type and configuration that's best for your application. Options include Donaldson's exclusive Synteq™, natural fiber cellulose, stainless steel wire-mesh or water absorbing media.

### Beta Rating

- Performance to  $\beta_{0.1} = 1000$

### Porting Size Options

- 1/2", 3/4" NPT
- SAE-8, SAE-12 O-Ring

### Replacement Filter Lengths

- 5.35" / 136mm
- 7.87" / 200mm

### Standard Bypass Ratings

- 25 psi / 172.5 kPa / 1.7 bar
- 15 psi / 97 kPa / .97 bar
- 5 psi / 34.5 kPa / .34 bar
- No Bypass

### Applications

- Fluid Conditioning Systems
- In-Plant Systems
- Mobile Equipment
- Power Transmissions
- Process Systems



### Assembly Weight

- 5.35": 1.6 lbs / .7 kg (approximately)
- 7.87": 2.2 lbs / 1 kg (approximately)

### Operating Temperatures

- -22°F to 225°F / -30°C to 107°C

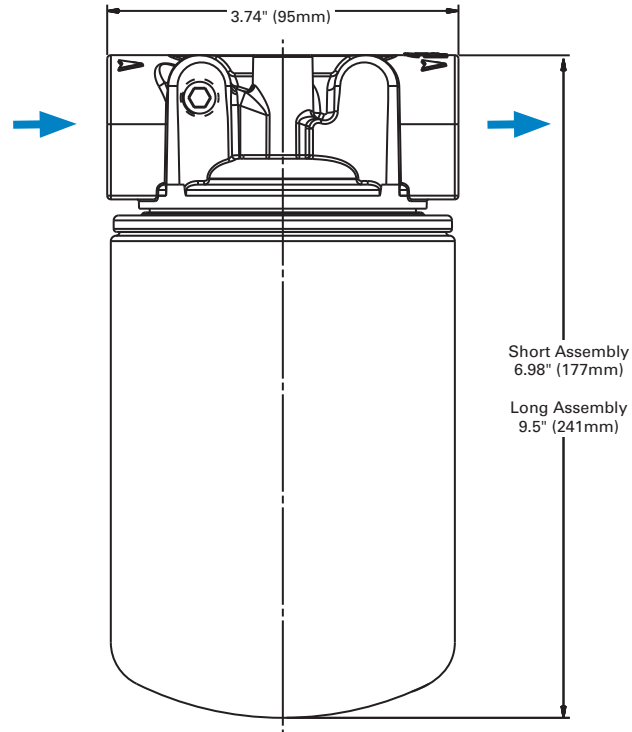
### Filter Collapse Ratings

- 100 psid / 690 kPa / 6.9 bar (standard)

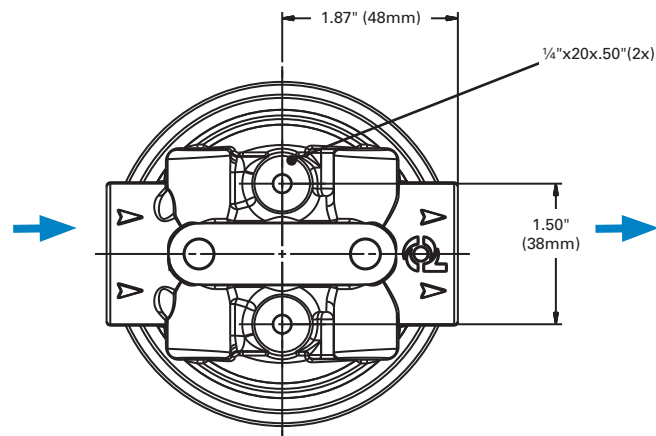
## SP15/25 Specification Illustrations

### ASSEMBLY - SIDE VIEW

All dimensions are shown in inches [millimeters].



### HEAD - TOP VIEW





SP15/25

Max Flow: 30 gpm (114 lpm)



## SP15/25 Components

### Filter Choices

Media Type	$\beta_{x(e)} = 2$	$\beta_{x(e)} = 1000$	Length		Part No.	Comments
	Rating based on ISO 16889		in	mm		
Synteq Synthetic		6 $\mu$ m	5.35	136	P564967	
		6 $\mu$ m	7.87	200	P564357	
		11 $\mu$ m	7.87	200	P179089	
		11 $\mu$ m	5.35	136	P560693	
		23 $\mu$ m	5.35	136	P560694	
Cellulose	5 $\mu$ m		5.35	136	P565061	
	7 $\mu$ m		5.35	136	P551551	
	7 $\mu$ m		7.87	200	P565059	
	17 $\mu$ m		5.35	136	P551553	
	17 $\mu$ m		7.87	200	P565060	
Water Absorbing	10 $\mu$ m		5.35	136	P565062	Absorbs approximately 6 oz/170 ml of water @ 20 psid/1.4 bar
Wire Mesh	150 $\mu$ m		5.35	136	P550274	100 mesh

Filter Notes: \* Thread size 1"-12 UNF

### Head Choices

Port Size	Bypass Range	Gauge ports (drill, tap, plug)	Gauge Port Location	Part No.
1/2" NPT	15 psi / 103.4 kPa / 1.34 bar	(2) 1/8" NPT	upstream side	P563288
3/4" NPT	25 psi / 172.5 kPa / 1.72 bar	(2) 1/8" NPT	upstream side	P561131
3/4" NPT	5 psi / 34.5 kPa / .34 bar	(2) 1/8" NPT	downstream side	P561132
3/4" NPT	25 psi / 172.5 kPa / 1.72 bar	none	na	P561134
3/4" NPT	5 psi / 34.5 kPa / .34 bar	none	na	P561135
3/4" NPT	none	none	na	P561136
3/4" NPT	15 psi / 103.4 kPa / 1.34 bar	none	na	P563278
SAE-12	none	none	na	P561133
SAE-12	none	(1) SAE-4	upstream side, LH	P561137
SAE-12	5 psi / 34.5 kPa / .34 bar	none	na	P561140
SAE-12	25 psi / 172.5 kPa / 1.72 bar	none	na	P561141
SAE-12	15 psi / 103.4 kPa / 1.34 bar	none	na	P563279
SAE-12	25 psi / 172.5 kPa / 1.72 bar	(2) 1/8" NPT	upstream side	P563280
SAE-8	25 psi / 172.5 kPa / 1.72 bar	none	na	P561138

Note: On a return line system the gauge port should be on the upstream side. We suggest a 25 psi bypass. If head is used on a suction line, the gauge port should be on the downstream side very low bypass.



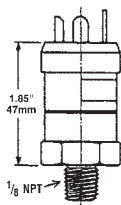
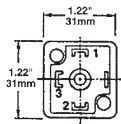
### Mix and Match

Donaldson's mix and match system provides the great performance and functional advantages of custom engineered filters with the convenience and speedy delivery of in-stock parts. Choose your options and build a filter model to suit your specifications.

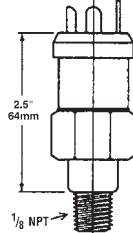
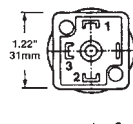
## Filter Service Gauges - Visual Indicators

Part No.	Pressure Range	Use With Bypass Valve Rating	Type
P563978	5 to 30 psi field adj.*	15 psi / 103.4 kPa / 1.34 bar or 25 psi / 172.5 kPa / 1.72 bar or No Bypass	Return indicator, electrical
P563979	-5 to 15 in Hg field adj.*	5 psi / 34.5 kPa / .34 bar Hg field adj.* or No Bypass	Suction indicator, electrical
P579714	0 to 100 psi	15 psi / 103.4 kPa / 1.34 bar or 25 psi / 172.5 kPa / 1.72 bar or No Bypass	Return indicator, numeric scale
P579715	0 to 100 psi	15 psi / 103.4 kPa / 1.34 bar Bypass	Return indicator, color coded
P579716	0 to 100 psi	25 psi / 172.5 kPa / 1.72 bar or No Bypass	Return indicator, color-coded
P579717	0 to -30 Hg	5 psi / 34.5 kPa / .34 bar or No Bypass	Suction indicator, numeric scale

**P563978**



**P563979**



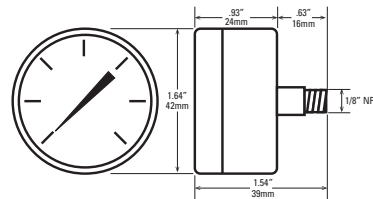
#1 Common; #2 Normally Closed;  
#3 Normally Open

**Instructions**

1. Remove DIN adaptor
2. Remove small brass screw
3. Using 1/8" allen wrench adjust clockwise to increase set point/counter-clockwise to decrease set point
4. NO / NC

Adjustment screw located in center of electric prongs

**P579714 - P579717**



**Notes**

\* NOT PRESET: Setting adjustable for desired application

## Performance Data

