

7400 Series Spin-On Filters

Coralon® lube and hydraulic oil filters deliver consistent, high level fluid system protection across all applications, regardless of severity. Coralon filters feature $\text{Beta}_{X(C)} > 1000$ filter efficiency, low pressure drop and long service life.

Features

- Flows to 125 lpm (35 US gpm)
- Pressures to 17 bar (250 psi)
- Port size: ¾" and 1"

Notes and Specifications

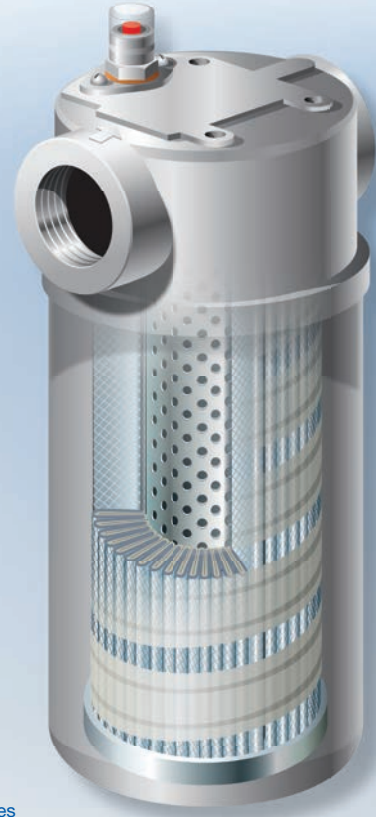
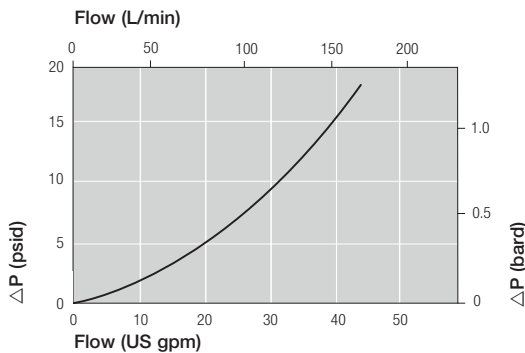
Filter Housing

- **Fatigue Pressure Rating:**
17 bar (250 psi) (60,000 cycles 0-250 psi)
- **Typical Burst Pressure:**
28 bar (400 psi)
- **Filter Element Collapse Pressure:**
7 bard (100 psid)
- **Fluid Compatibility:**
Compatible with all petroleum oils and most water glycols, water-oil emulsions, and synthetic hydraulic and lubricating fluids
- **Temperature Range:**
-29 °C to 107 °C (-20 °F to 225 °F)
60 °C (140 °F) maximum in HWCF or water glycols
- **Bypass Valve Setting:**
1.7 bard (25 psid)
3.4 bard (50 psid)
Non-bypass
- **Indicator Pressure Setting:**
1.1 bard (16 psid) with 'A' valve option
2.4 bard (35 psid) with 'B' and 'W' valve option
- **Housing Materials of Construction:**
Cast iron head

Pressure Drop Information

Housing pressure drop using fluid with 0.9 S.G.

Housing pressure drop is directly proportional to specific gravity.



7400 Series
Filter Housing
and Spin-On
Cannister

Element Pressure Drop

Multiply actual flow rate times factor in table below to determine pressure drop with fluid at 32 cSt (150 SUS), 0.9 S.G. Correct for other fluids by multiplying new viscosity in cSt/32 (SUS/150) x new S.G./0.9.

7400 Series Element DP Factors (psid/gpm)

Length	CZ	CP	CN	CS	CT
4"	0.82	0.36	0.30	0.22	0.15
8"	0.43	0.19	0.15	0.12	0.08

Ordering Information

For new installations, select one complete part number from each section below

Section 1 Housing P/N:

Note: Pall filter housings are supplied without filter elements or filter change out warning devices. Never operate the filter housing unless a filter element is fitted and all warning device ports are sealed.

Housing part number designates indicator port is fitted with a plastic shipping plug.

Part Number
HH7400A12B1
HH7400A16A1
HH7400A16B1
HH7400A16W1
HH7400C12B1
HH7400C16A1
HH7400C16B1
HH7400C16W1

Part Number Breakdown

HH = housing with nitrile seals

7400 = 7400 series spin-on housing

A12 = 3/4" SAE J514 straight thread port

A16 = 1" SAE J514 straight thread port

C12 = 3/4" BSP ISO 228 threads

C16 = 1" BSP ISO 228 threads

A = 1.7 bard (25 psid) bypass valve

B = 3.4 bard (50 psid) bypass valve

W = Non-bypass

1 = 1 indicator warning device port

Section 2 Element P/N:

Spin-On Can P/N: HC7400 S H
Table 1 Table 2

Table 1: Filter Performance Ratings

Code	$\beta_{x(c)} \geq 1000$ per ISO 16889	ISO Code Rating per Stress-Resistance Test (80% Δp)*
CZ	3	10/08/03
CP	5	12/09/07
CN	7	14/11/06
CS	12	15/11/06
CT	22	16/14/08

*based on 60 psid terminal pressure drop

Table 2: Length Options

Code	Description
4	4" nominal length
8	8" nominal length

Section 3 Differential Pressure Indicator

P/N: RC Z Z
Table 1 Table 2

Note: If no Differential Pressure Indicator is selected, 'B' type blanking plug (P/N HC9000A104Z) must be ordered separately and fitted to replace the shipping plug.

Table 1: Indicator Options

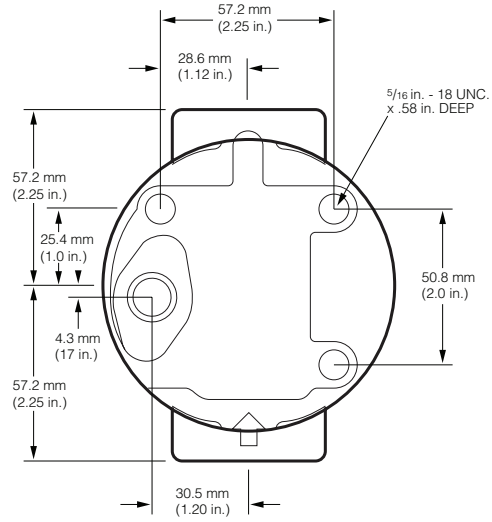
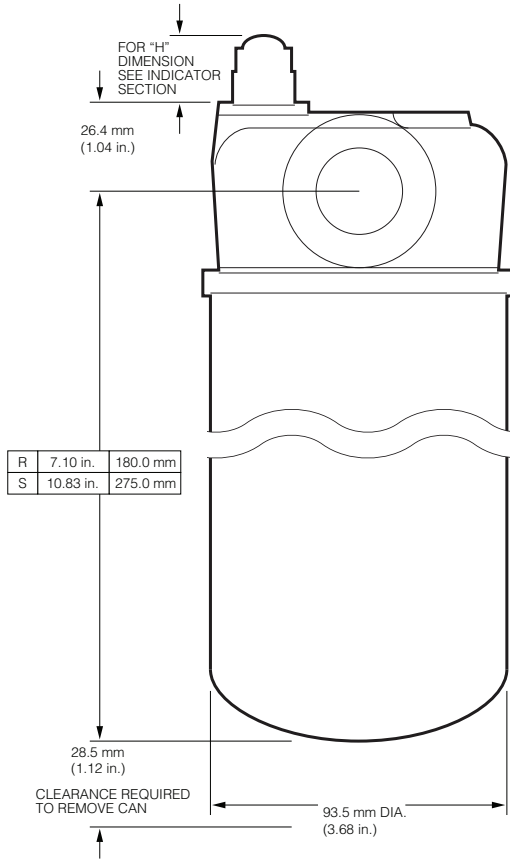
Code	Brass Option Indicator
A218M	Electrical switch (SPDT) with Hirschmann connector
A218R	Electrical switch (SPDT) with Hirschmann connector and Red and Green LED indicators
A219D	Visual indicator

Table 2: Differential Pressure Setting Options

Code	Description
084	For A valve option (1.1 bar – 16 psid)
090	For B and W valve options (2.4 bard - 35 psid)

Dimensional Drawings

Dimensions in mm (inches)



Pall Corporation

25 Harbor Park Drive
 Port Washington, NY 11050
 +1 516 484 3600 telephone
 +1 800 289 7255 toll free US

Portsmouth - UK
 +44 (0)23 9233 8000 telephone
 +44 (0)23 9233 8811 fax
www.pall.com/contact

Filtration. Separation. Solution.SM



Visit us on the Web at www.pall.com

Pall Corporation has offices and plants throughout the world. For Pall representatives in your area, please go to www.pall.com/contact

Because of technological developments related to the products, systems, and/or services described herein, the data and procedures are subject to change without notice. Please consult your Pall representative or visit www.pall.com to verify that this information remains valid.

© Copyright 2018, Pall Corporation. Pall, and Coralon are trademarks of Pall Corporation. ® Indicates a trademark registered in the USA. Better Lives. Better Planet. and Filtration. Separation. Solution.SM are service marks of Pall Corporation.